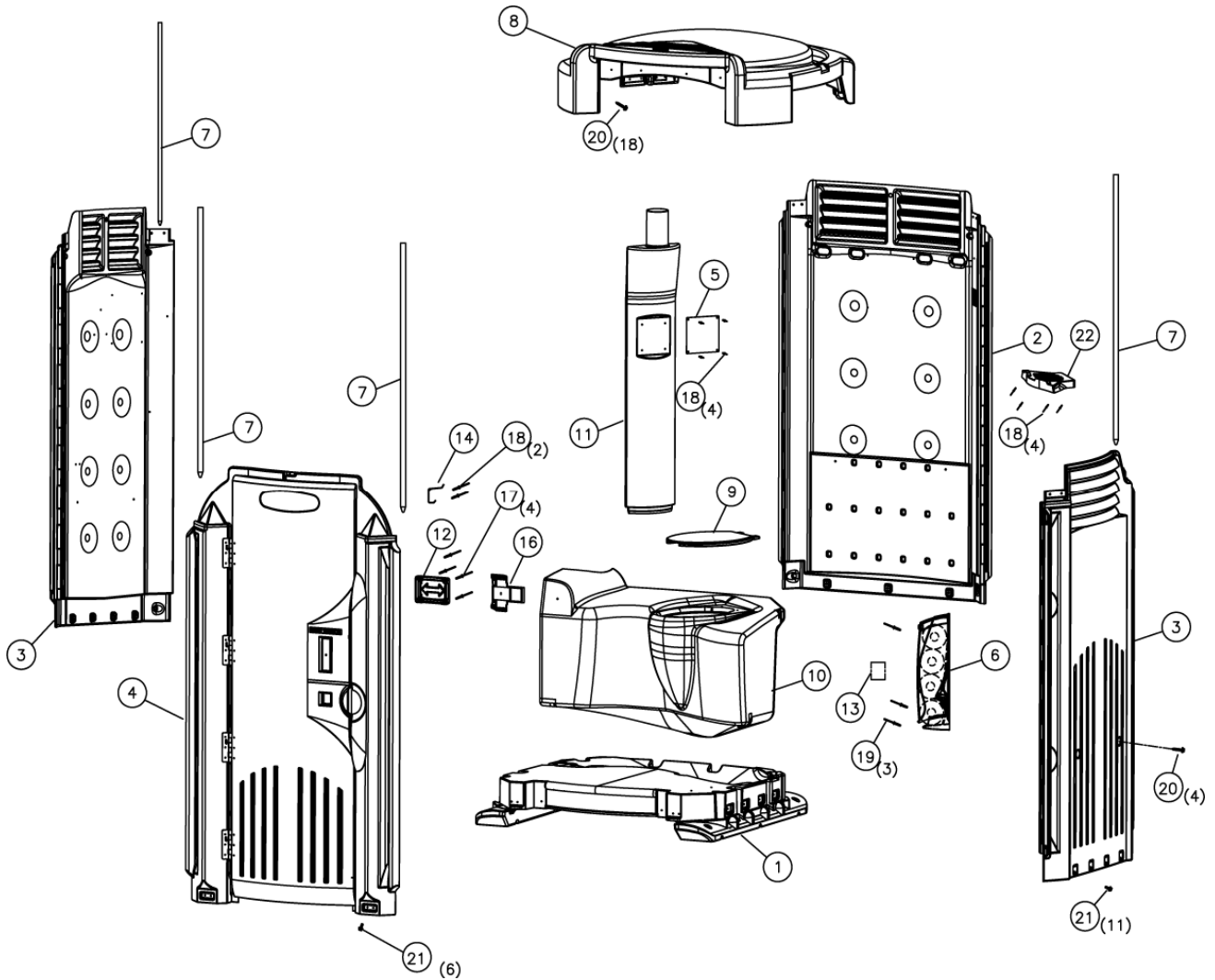


HIGH TECH II® NON-FLUSHING MAJOR ASSEMBLY



Visa / Mastercard / American Express / Discover
 \$25.00 Minimum Order — Prices and quantities subject to change / all prices are FOB FACTORY — Priced in U.S. Dollars
 20% minimum restocking charge applies on returns

HIGH TECH II® NON-FLUSHING MAJOR ASSEMBLY

REV B ITEM#	PART#	QTY PER UNIT	DESCRIPTION	PRICE EACH
1	18932	1	BASE- HT2 DTAN	
2	18991	1	PANEL, HT2 REAR	
3	18992	2	PANEL, HT2 SIDE	
4	18935	1	FRONT ASSY- HT2 MTAN	
	18949	1	HDWE- HT2	
5	18967	1	MIRROR- 7 X 7	
6	18955	1	PAPERGUARD- 4 ROLL VERTICAL	
7	18681	4	ROD- FIBERGLASS 72	
8	18938	1	ROOF- HT2 LTAN TINT	
9	18947	1	SEAT- ELONG HT2 MTAN	
	19196	1	KIT- T/SEAT 2-1/2 BOLT/NUT SET	
10	18939	1	TANK- HT2 MTAN	
11	18940	1	VENT PIPE- HT2	
	18949	1	HDWE- HT2	
12	18943	1	COVER- HT2 LATCH MTAN	
13	19308	1	DECAL- TP DISPENSER 4 ROLL	
14	18944	1	HOOK- HT2 COAT STNLS	
16	18942	1	LATCH- HT2 DTAN W/DECAL	
	18983	1	DECAL- HT2 IN-USE/OPEN	
17*	18543	4	RIVET- 3/16 T PEEL	
18*	17436	10	RIVET- AVDEL SILVER	
19*	17030	3	RIVET- AVDEL BLACK	
20*	13860	22	SCREW- #14 X 1-1/2 W/WSH GOLD	
21	19496	17	SCREW- 1/4-20 X 3/4 W/WSH HWHD	
22	18957	1	SHELF- HT2 MTAN	
	18968	1	INSTRUCTIONS- HT2 ASSY	

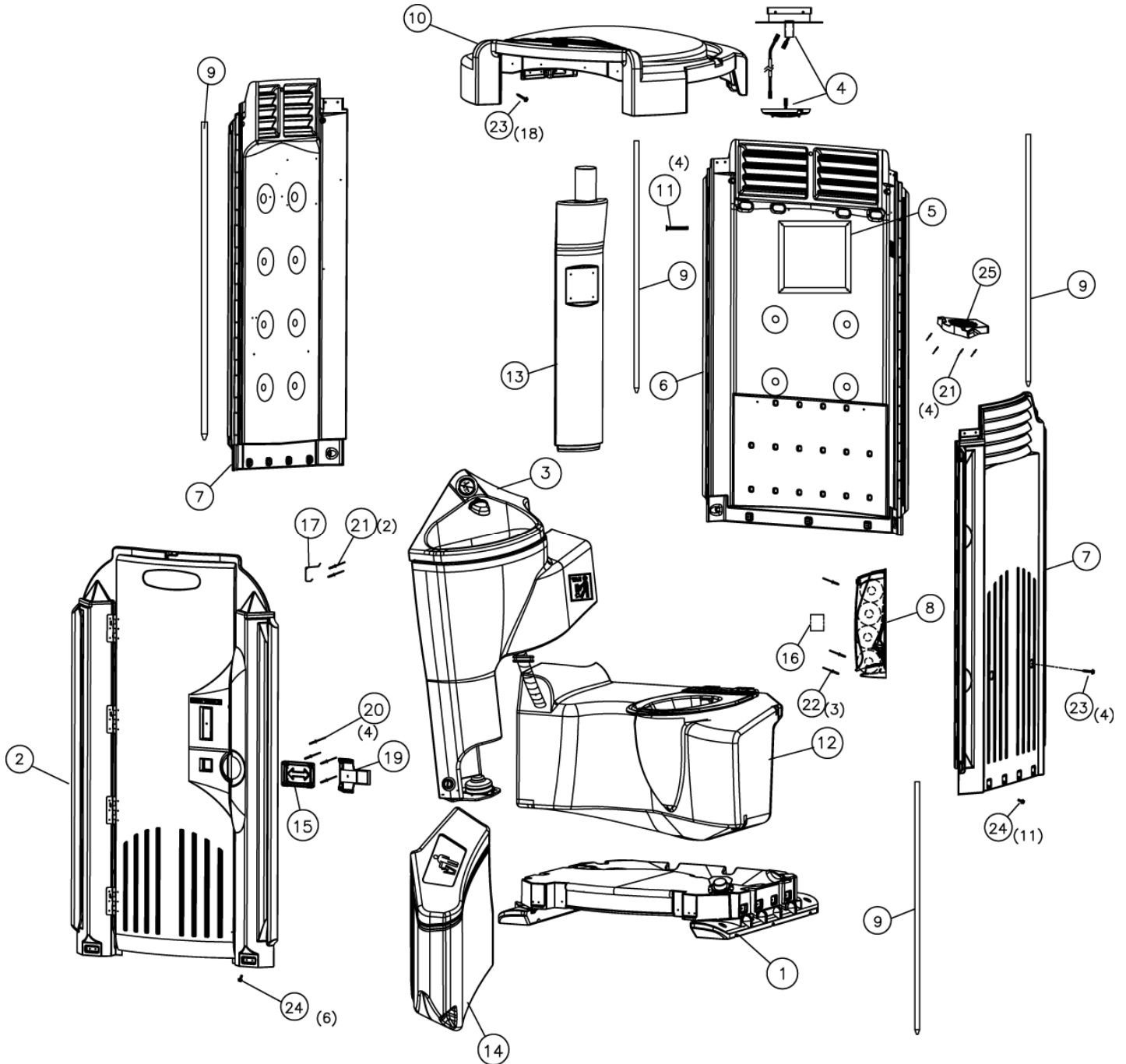
* ONLY SOLD IN MULTIPLES OF 100

Consult Your Area Manager at:

Tel: 1-800-883-1123 (US & Canada) Fax: 1-800-328-3334 (US & Canada)

Web Site: www.satelliteindustries.com

HIGH TECH II® DELUXE FLUSH MAJOR ASSEMBLY



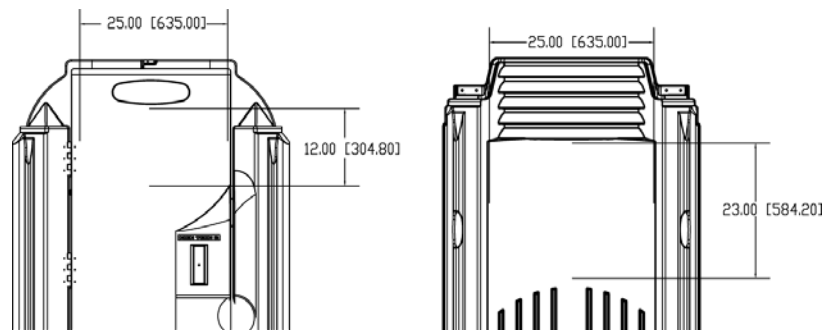
Visa / Mastercard / American Express / Discover
 \$25.00 Minimum Order — Prices and quantities subject to change / all prices are FOB FACTORY — Priced in U.S. Dollars
 20% minimum restocking charge applies on returns

HIGH TECH II® DELUXE FLUSH MAJOR ASSEMBLY

REV A ITEM #	PART#	QTY PER UNIT	DESCRIPTION	PRICE EACH
1	19385	1	BASE ASSY- HT2 DTAN UPGRADE	
2	18935	1	FRONT ASSY- HT2 MTAN	
3	18972	1	HANDWASH ASSY- HT2	
	18949	1	HDWE- HT2	
4	19257	1	KIT- SOLAR LIGHT DBL WALL RF	
5	18974	1	MIRROR- 11 X 11 DOUBLE WALL	
6	18991	1	PANEL, HT2 BACK	
7	18992	2	PANEL, HT2 SIDE	
8	18955	1	PAPERGUARD- 4 ROLL VERTICAL	
9	18681	4	ROD- FIBERGLASS 72	
10	18938	1	ROOF- HT2 LTAN TINT	
11	17505	4	SCREW- #10-24 X 1-1/2 STNLS PH	
12	19384	1	TANK ASSY- HT2 MTAN UPGRADE	
13	18940	1	VENT PIPE- HT2	
14	18958	1	WASTEBASKET- HT2 MTAN	
	18949		HDWE, HT2	
15	18943	1	COVER- HT2 LATCH MTAN	
16	19308	1	DECAL- TP DISPENSER 4 ROLL	
17	18944	1	HOOK- HT2 COAT STNLS	
19	18942	1	LATCH- HT2 DTAN W/DECAL	
	18983	1	DECAL- HT2 IN-USE/OPEN	
20*	18543	4	RIVET- 3/16 T PEEL	
21*	17436	10	RIVET- AVDEL SILVER	
22*	17030	3	RIVET- AVDEL BLACK	
23*	13860	22	SCREW- #14 X 1-1/2 W/WSH GOLD	
24	19496	17	SCREW- ¼-20 X ¾ W/WSH HWHD	
25	18957	1	SHELF- HT2 MTAN	
	18968	1	INSTRUCTIONS- HT2 ASSY	

* ONLY SOLD IN MULTIPLES OF 100

HIGH TECH II® DELUXE FLUSH LOGO AREA

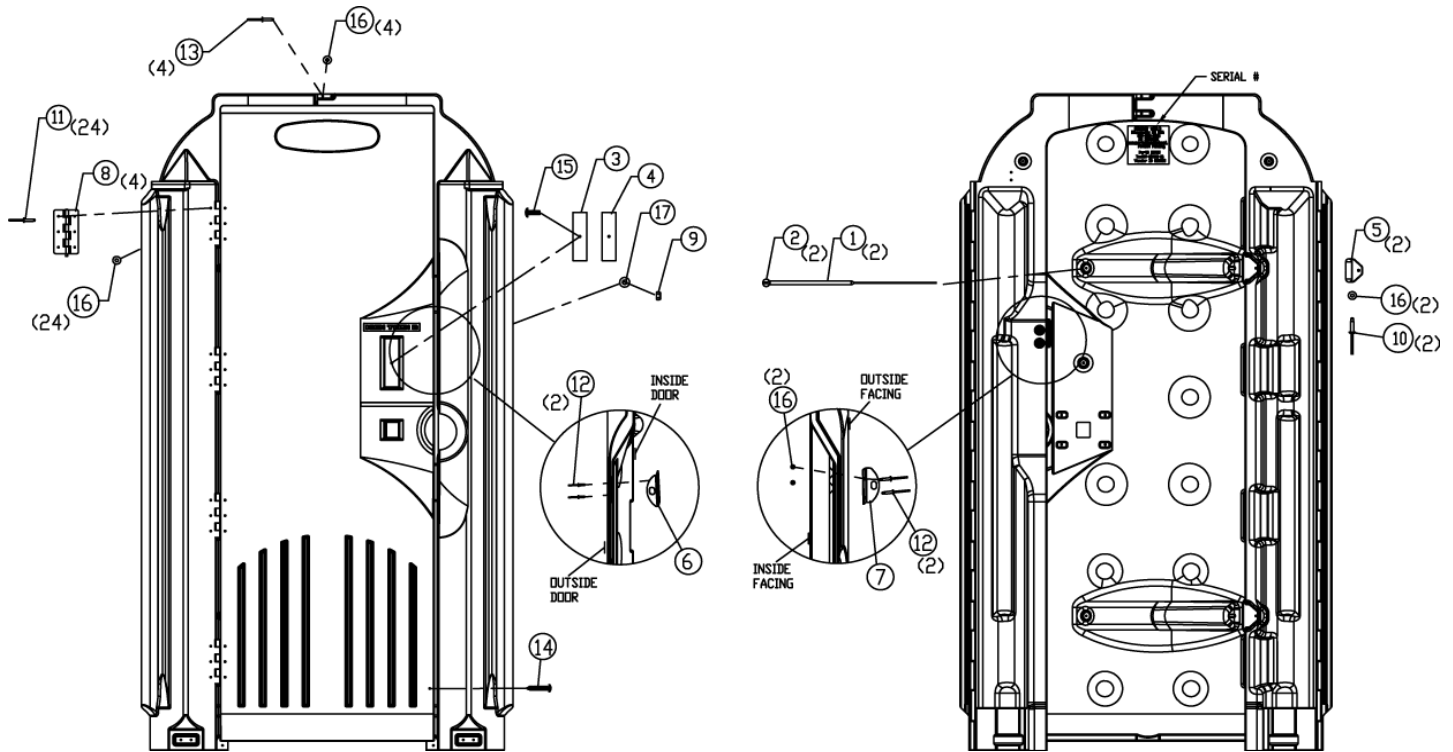


Consult Your Area Manager at:

Tel: 1-800-883-1123 (US & Canada) Fax: 1-800-328-3334 (US & Canada)

Web Site: www.satelliteindustries.com

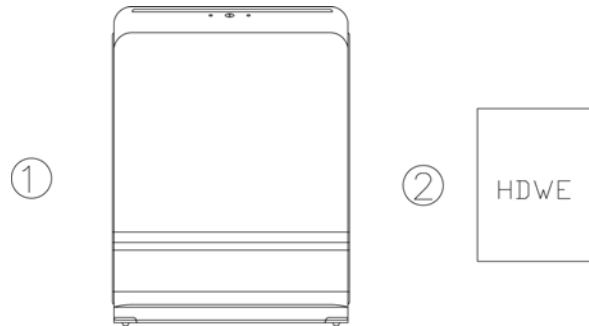
HIGH TECH II® FRONT ASSEMBLY



REV D ITEM #	PART#	QTY PER UNIT	DESCRIPTION	PRICE EACH
	18935	1	FRONT ASSY- HT2 MTAN	
1	18951	2	CLOSURE ASSY- HT2 DOOR	
2	18760	2	END CAP- TRS/HT2 CLOSURE	
3	18945	1	GENDER PLATE- HT2 MEN/WOMEN	
4	18946	1	GENDER PLATE- HT2 UNISEX	
5	18956	2	GUIDE- HT2 DOOR SPRING	
6	18804	1	HASP- TRS/HT2 DOOR	
7	18805	1	HASP- TRS/HT/HT2 FACING	
8	18941	4	HINGE- HT2 DOOR	
9*	13128	1	NUT- ¼-20 NYLOC	
10*	17030	2	RIVET- AVDEL BLACK	
11*	11024	24	RIVET- #610 AAP	
12*	11270	4	RIVET- #68 STNLS	
13*	11027	4	RIVET- #66 ALUM	
14*	18098	1	SCREW- #10 X 2 PN PH TAP	
15*	18705	1	SCREW- ¼-20 X3/4 TRUSS STNLS	
16*	11315	32	WASHER- 3/16 RIVET STNLS	
17*	12382	1	WASHER- ¼ FLAT STNLS	

* ONLY SOLD IN MULTIPLES OF 100

HIGH TECH II® TAN PAPER TOWEL DISPENSER



REV A ITEM #	PART#	QTY PER UNIT	DESCRIPTION	PRICE EACH
1	18998	1	KIT- DISPENSER TOWEL MTAN	
2	18365	1	HDWE- PAPER TOWEL DISPENSER	

HIGH TECH II® HANDLE KIT



REV A ITEM #	PART#	QTY PER UNIT	DESCRIPTION	PRICE EACH
	18987	1	KIT- HT2 HANDLE	
1	16807	2	HANDLE- PLASTIC HOVER	
2	18988	1	INSTRUCTIONS, HT2 HANDLE ASSY	
3*	11270	4	RIVET- #68 STNLS	
4*	11315	4	WASHER- 3/16 RIVET STNLS	

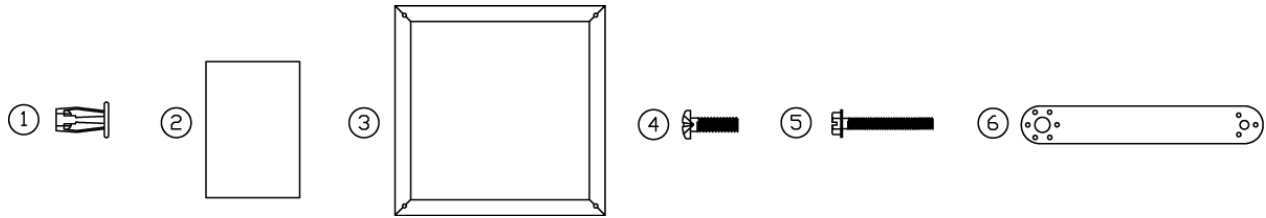
* ONLY SOLD IN MULTIPLES OF 100

Consult Your Area Manager at:

Tel: 1-800-883-1123 (US & Canada) Fax: 1-800-328-3334 (US & Canada)

Web Site: www.satelliteindustries.com

HIGH TECH II® MIRROR KIT (11")



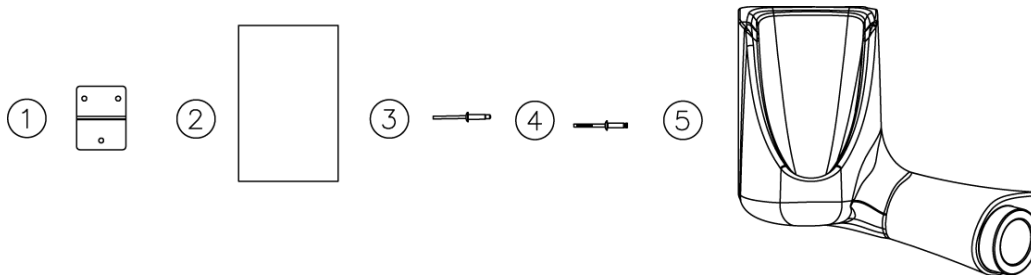
HIGH TECH II MIRROR KIT (11")

REV A ITEM #	PART#	QTY PER UNIT	DESCRIPTION	PRICE EACH
	19392	1	KIT- MIRROR 11x11 DOUBLE WALL	
1	14791	4	INSERT- #10-24 JACK NUT	
2	19391	1	INSTRUCTIONS, MIRROR 11 X 11	
3	18974	1	MIRROR- 11 X 11 DOUBLE WALL	
4*	14792	1	SCREW- #10-24 X 1 HEX PLTD	
5	17505	4	SCREW- #10-24 X 1-1/2 STNLS PH	
6	14332	1	WRENCH- JACK NUT	

* ONLY SOLD IN MULTIPLES OF 100

HIGH TECH II® URINAL KIT

NON-FLUSHING UNIT OPTION ONLY

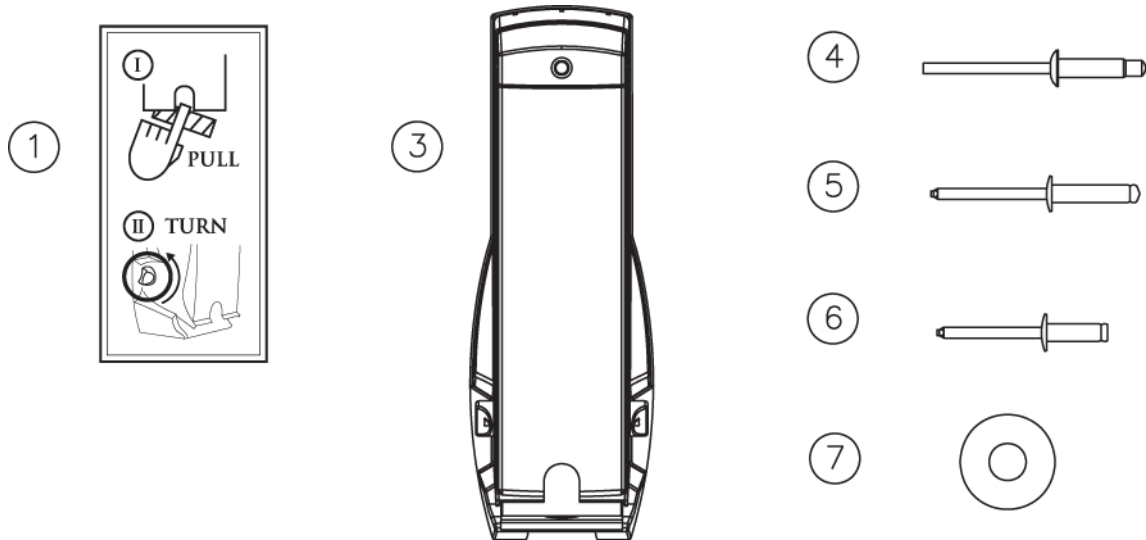


NON-FLUSHING UNIT OPTION ONLY

REV B ITEM #	PART#	QTY PER UNIT	DESCRIPTION	PRICE EACH
	18985	1	KIT- HT2 URINAL	
1	18969	3	BRACKET- HT2 URINAL	
2	18986	1	INSTRUCTIONS- HT2 URINAL ASSY	
3*	17436	4	RIVET- AVDEL SILVER	
4*	18543	4	RIVET- 3/16 T PEEL	
5	18948	1	URINAL- HT2 MTAN	

* ONLY SOLD IN MULTIPLES OF 100

4-ROLL TP DISPENSER KIT



(NOTE: THIS KIT CAN BE USED ON BOTH SINGLE & DOUBLE WALL TOILETS)

REV B ITEM #	PART#	QTY PER UNIT	DESCRIPTION	PRICE EACH
	19408	1	KIT- PAPERGRD 4 ROLL VERTICAL	
1	19308	1	DECAL- TP DISPENSER 4 ROLL	
3	18955	1	PAPERGUARD- 4 ROLL VERTICAL	
4*	17030	3	RIVET, ADVEL BLACK **	
5*	11024	2	RIVET, #610 AAP	
6*	11027	1	RIVET, #66 ALUM	
7*	11315	3	WASHER- 3/16 RIVET STNLS	
	19407	1	INSTRUCTIONS, 4 ROLL DISPENSER	
	19375	1	KEY- 4 ROLL PAPERGUARD (OLD & NEW)	

* ONLY SOLD IN MULTIPLES OF 100

** RIVETS USED ON DOUBLE WALL TOILETS

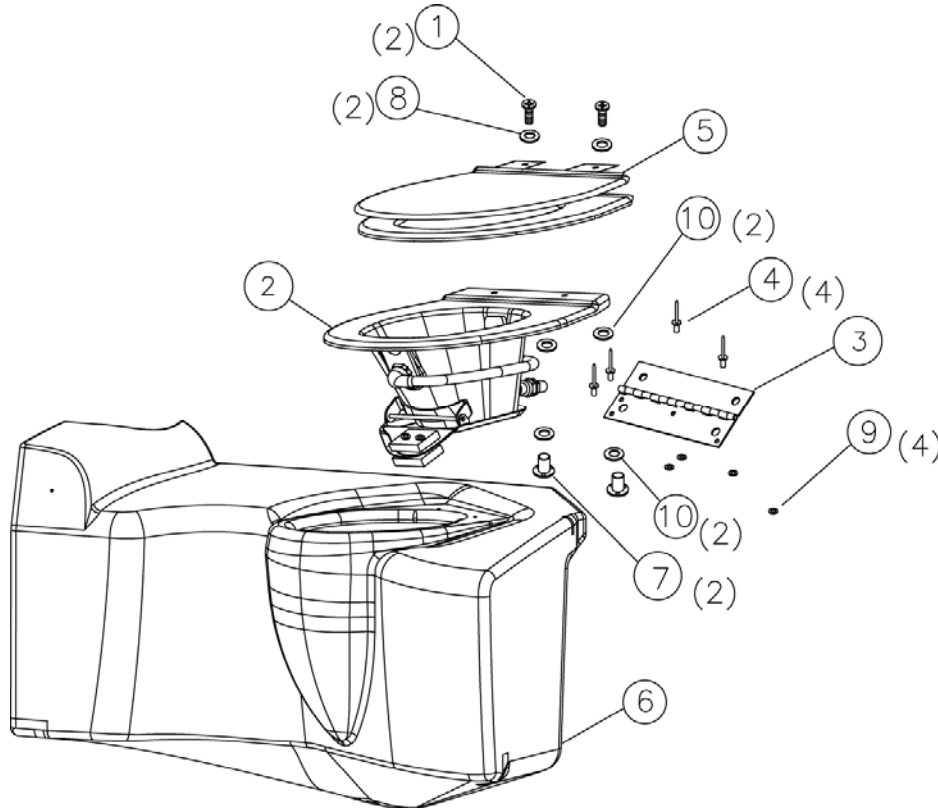
*** RIVETS USED ON SINGLE WALL TOILETS

Consult Your Area Manager at:

Tel: 1-800-883-1123 (US & Canada) Fax: 1-800-328-3334 (US & Canada)

Web Site: www.satelliteindustries.com

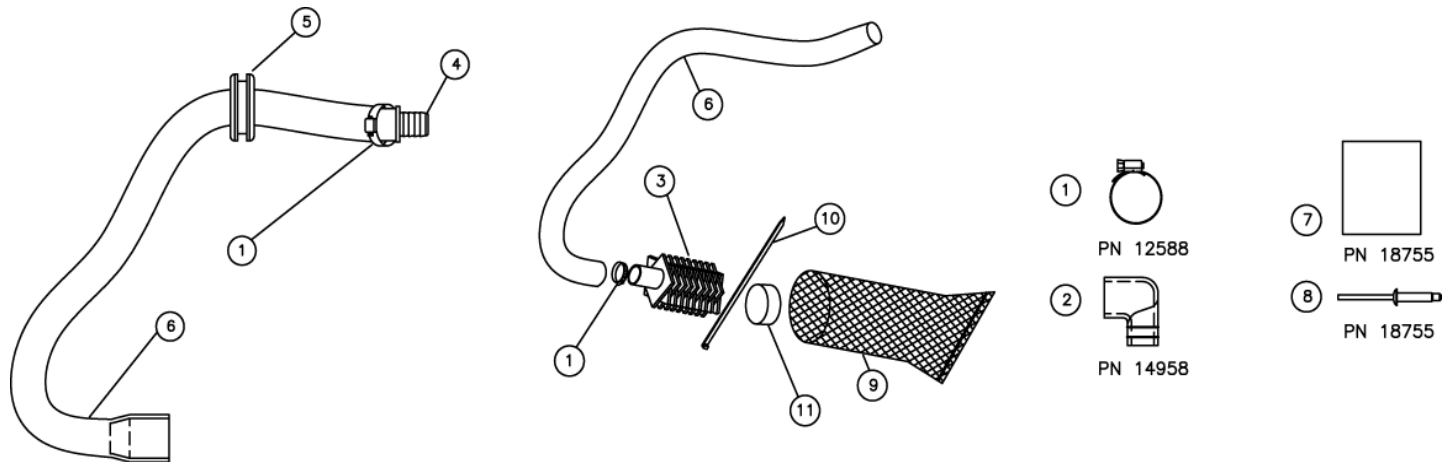
HIGH TECH II® DELUXE FLUSH TANK UPGRADE



REV B ITEM #	PART#	QTY PER UNIT	DESCRIPTION	PRICE EACH
	19384	1	TANK ASSY- HT2 MTAN UPGRADE	
1*	19381	2	BOLT- ¼-20 X ½ PN HD STNLS	
2	18973	1	BOWL ASSY- FLUSH STNLS	
3	17169	1	HINGE- FLUSH BOWL	
4*	11270	4	RIVET- #68 STNLS	
5	18947	1	SEAT- ELONG HT2 MTAN	
6	18939	1	TANK- HT2 MTAN	
7*	16884	2	T-NUT- ¼-20 X ¾ PLTD	
8*	12382	2	WASHER- ¼ FLAT STNLS	
9*	11315	4	WASHER- 3/16 RIVET STNLS	
10*	11368	4	WASHER- 5/16 FLAT STNLS	
11	19386	1	CLAMP- WORMDRIVE #16	
12	19259	1	DECAL- HT2 FLUSH INSTRUCTIONS	
13	18971	1	DECAL- HT2 ICON	
14	19260	1	DECAL- TOILET PAPER ONLY	

* ONLY SOLD IN MULTIPLES OF 100

HIGH TECH II® RECIRCULATING FLUSH KIT



REV B ITEM #	PART#	QTY PER UNIT	DESCRIPTION	PRICE EACH
	19309	1	KIT- HT2 RECIRC FLUSH CONV	
1	12588	3	CLAMP- WORMDRIVE #12	
2	14958	1	ELBOW- 90 1in PMP SLP X BOR HS	
3	15143	1	FILTER- RECIRCULATING FLUSH	
4	19310	1	FITTING- 3/4 INS X 3/4 INS	
5	19270	1	GROMMET- 1in ID	
6	17097	2	HOSE- 3/4 X 72 GREEN	
7	19404	1	INSTRUCTIONS, HT2 RECIRC FLUSH	
8*	18755	8	RIVET- AVDEL SILVER LONG	
9	16949	1	SCREEN- TURBO RECIRC FILTER	
10	11261	1	TIE- WIRE 6in	
11	17331	1	WEIGHT- TURBO RECIRC FILTER	

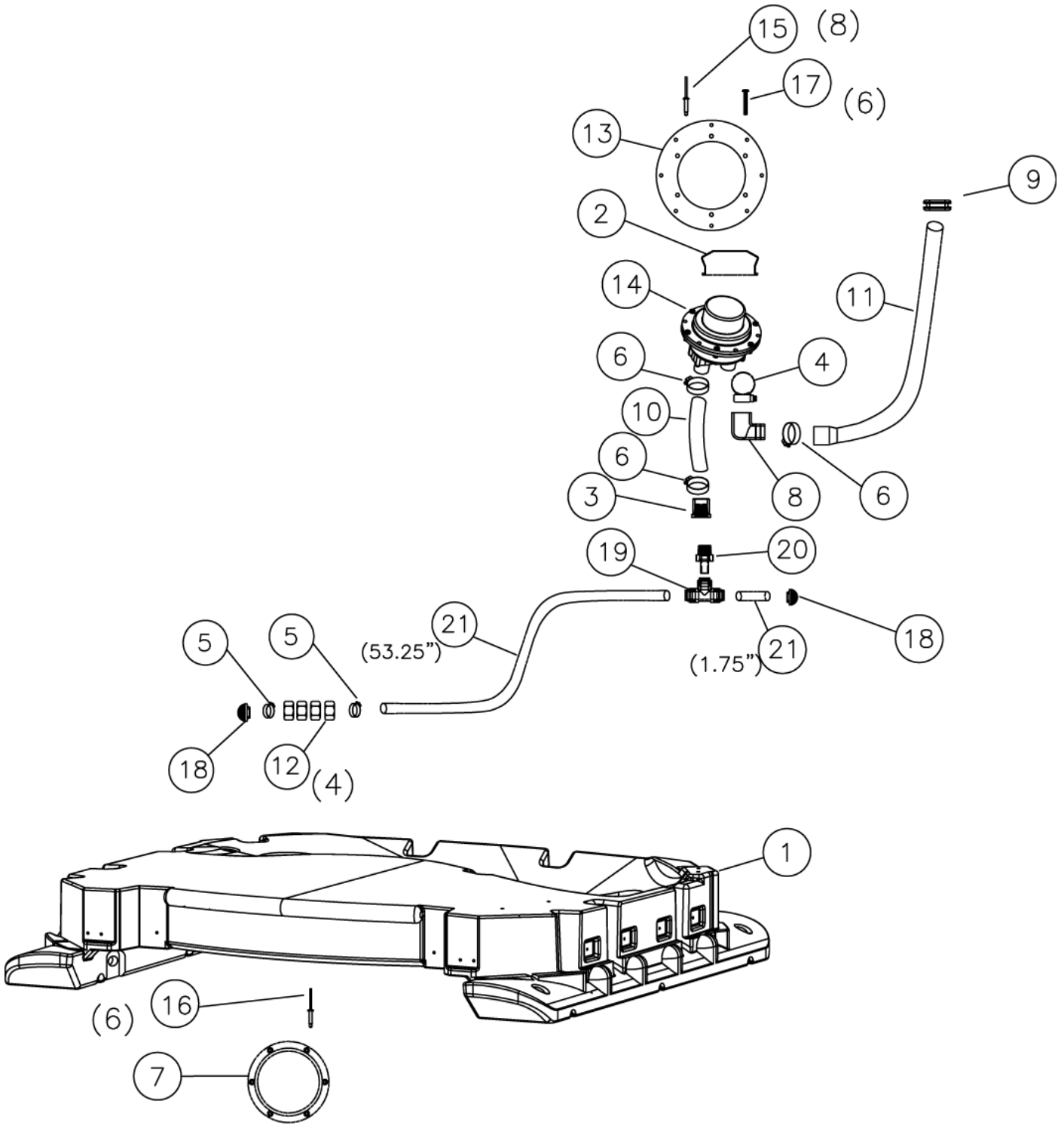
* ONLY SOLD IN MULTIPLES OF 100

Consult Your Area Manager at:

Tel: 1-800-883-1123 (US & Canada) Fax: 1-800-328-3334 (US & Canada)

Web Site: www.satelliteindustries.com

HIGH TECH II® DELUXE FLUSH BASE ASSEMBLY



Visa / Mastercard / American Express / Discover
 \$25.00 Minimum Order — Prices and quantities subject to change / all prices are FOB FACTORY — Priced in U.S. Dollars
 20% minimum restocking charge applies on returns

HIGH TECH II® DELUXE FLUSH BASE ASSEMBLY

REV B ITEM #	PART#	QTY PER UNIT	DESCRIPTION	PRICE EACH
	19385	1	BASE ASSY- HT2 DTAN UPGRADE	
1	18932	1	BASE- HT2 DTAN	
2	15801	1	BOOT- BUTTON PUMP	
3	19276	1	BUSHING- ¾SP X ½FPT PVC40	
4	17498	1	CLAMP- #30 HI-TORQUE	
5	10280	2	CLAMP- WORMDRIVE #6 STNLS	
6	19386	3	CLAMP- WORMDRIVE #16	
7	19268	1	DECK PLATE- 4in PRY OFF	
8	14958	1	ELBOW- 90 1in PMP SLP X BOR HS	
9	19270	1	GROMMET- 1in ID	
10	15325	3.3"	HOSE- 1 ROLLERFLEX 1100 GREEN	
11	17097	1	HOSE- ¾ X 72 GREEN	
12	19271	4	NUT- 5/8-11 NC STNLS	
13	18970	1	PLATE- HT2 FLUSH PUMP	
14	17504	1	PUMP- STRAIGHT GUZZLER FOOT	
15*	18755	8	RIVET- AVDEL SILVER LONG	
16*	17030	6	RIVET- AVDEL BLACK	
17*	19184	6	SCREW- #10-24 1-1/2 STNLS PHPN	
18	19269	2	STRAINER- .375 ID	
19	19274	1	TS FITTING- ½ TEE HOS x HOS	
20	19275	1	TS FITTING- ½FPT STEM ADAPTR	
21	15965	55"	TS HOSE- ½ OD TUBING	

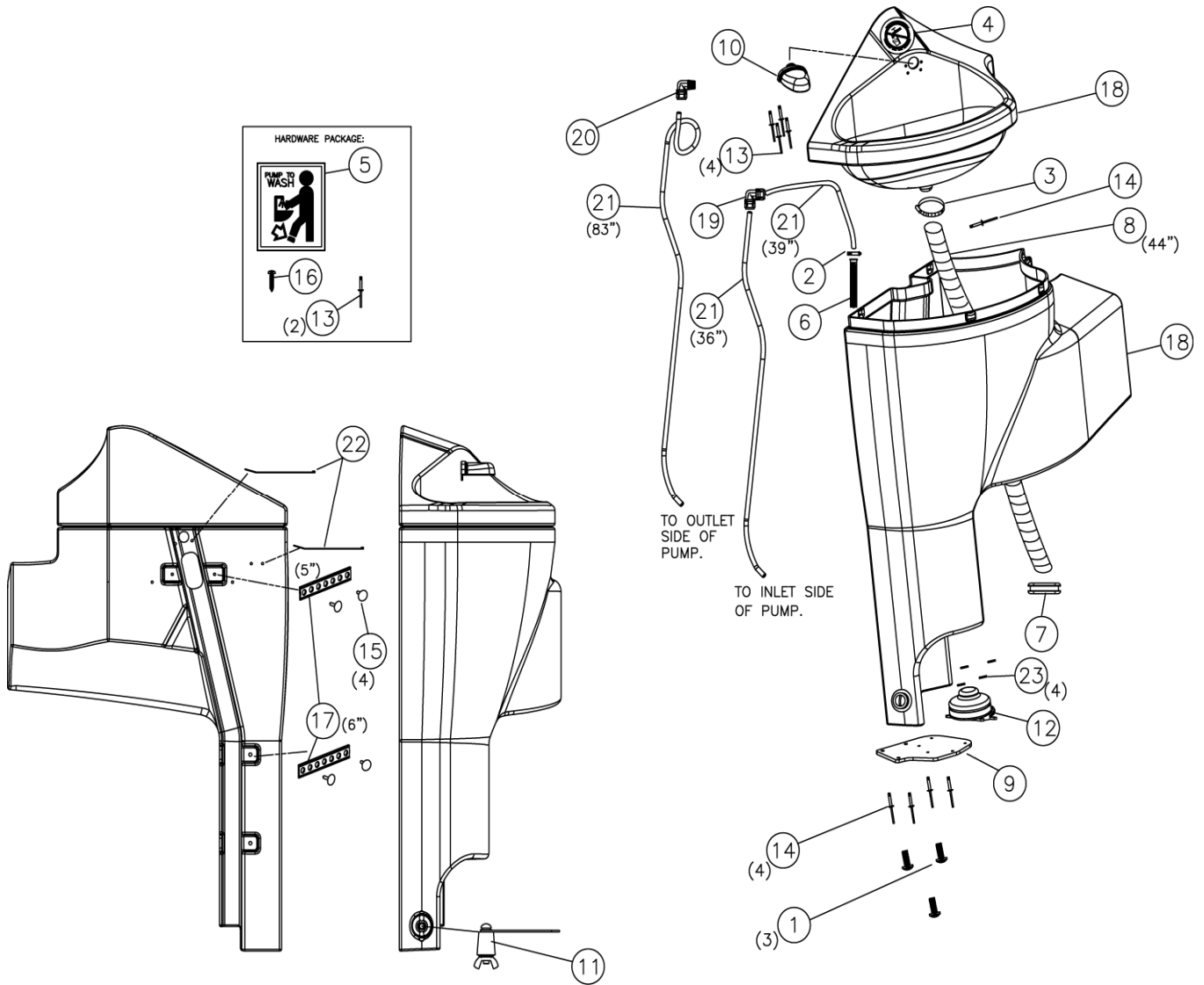
* ONLY SOLD IN MULTIPLES OF 100

Consult Your Area Manager at:

Tel: 1-800-883-1123 (US & Canada) Fax: 1-800-328-3334 (US & Canada)

Web Site: www.satelliteindustries.com

HIGH TECH II® DELUXE FLUSH HANDWASH



HIGH TECH II® DELUXE FLUSH HANDWASH

REV G ITEM #	PART#	QTY PER UNIT	DESCRIPTION	PRICE EACH
	18972	1	HANDWASH ASSY- HT2	
1*	19381	3	BOLT- ¼-20 X ½ PN HD STNLS	
2	10280	1	CLAMP- WORMDRIVE #6 STNLS	
3	19386	1	CLAMP- WORMDRIVE #16	
4	13776	1	DECAL- DO NOT DRINK	
5	18995	1	DECAL, HT2 HW INSTRUCTION	
6	16829	1	FILTER- ½ X 3-1/2 CYLINDER	
7	19390	1	GROMMET- 1-1/4in ID	
8	14780	44"	HOSE- 1in LOW PRESSURE	
9	18984	1	MOUNTING PLATE- HT2 HW PUMP	
10	18954	1	NOZZLE- HT2 MTAN	
11	20576	1	PLUG- ¾ EXPANDING W/TETHER	
12	16305	1	PUMP- BABY FOOT 3/8 HOSE INS	
13*	14427	2	RIVET- #66 LSH W/LOCK MANDREL	
14*	11027	5	RIVET- #66 ALUM	
15*	16804	4	RIVET- PINE TREE ¼ X 9/16	
16*	15513	1	SCREW-#8 X ¾ TAP STNLS	
17	16873	11"	STRAPPING- 5/8 PERFORATED	
18	19263	1	HANDWASH- HT2 TANK/BASIN SET	NOT SALEABLE
19	16656	1	TS FITTING- 90DEG 3/8 HOSxHOS	
20	16301	1	TS FITTING- 90DEG 3/8 HOSxNPTF	
21	16304	158"	TS HOSE- 3/8 OD TUBING	
22	11261	2	TIE- WIRE 6in	
23*	11315	4	WASHER- 3/16 RIVET STNLS	
	20508	1	BOOT – BABY FOOT PUMP	

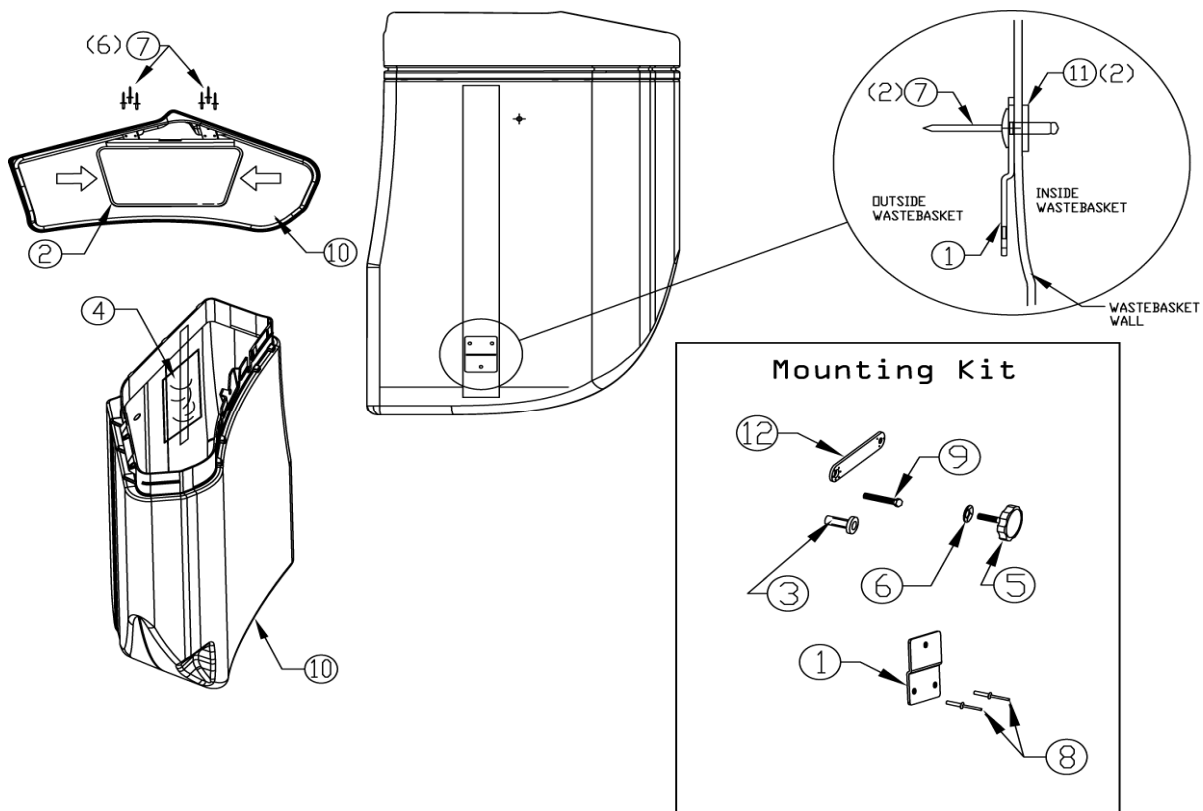
* ONLY SOLD IN MULTIPLES OF100

Consult Your Area Manager at:

Tel: 1-800-883-1123 (US & Canada) Fax: 1-800-328-3334 (US & Canada)

Web Site: www.satelliteindustries.com

HIGH TECH II® WASTEBASKET



REV C ITEM #	PART#	QTY PER UNIT	DESCRIPTION	PRICE EACH
	18958	1	WASTEBASKET- HT2 MTAN	
1	18969	1	BRACKET- HT2 URINAL	
2	19322	1	DOOR ASSY- HT2 WSTBKT	
3	14331	1	INSERT- ¼-20 JACK NUT STEEL	
4	20573	1	KIT- HT2 WASTEBASKET MOUNTING	
5	20562	1	KNOB SCREW- ¼-20 X ¾ STEEL	
6	20561	1	PUSH NUT- ¼-20 ROUND STNLS	
7*	11027	8	RIVET- #66 ALUM	
8*	17436	2	RIVET- AVDEL SILVER	
9*	14792	1	SCREW- #10-24 X 1 HEX PLTD	
10	18975	1	TOP/BOTTOM- HT2 WSTBSKT	
11*	11315	2	WASHER- 3/16 RIVET STNLS	
12	14332	1	WRENCH- JACK NUT	

* ONLY SOLD IN MULTIPLES OF 100