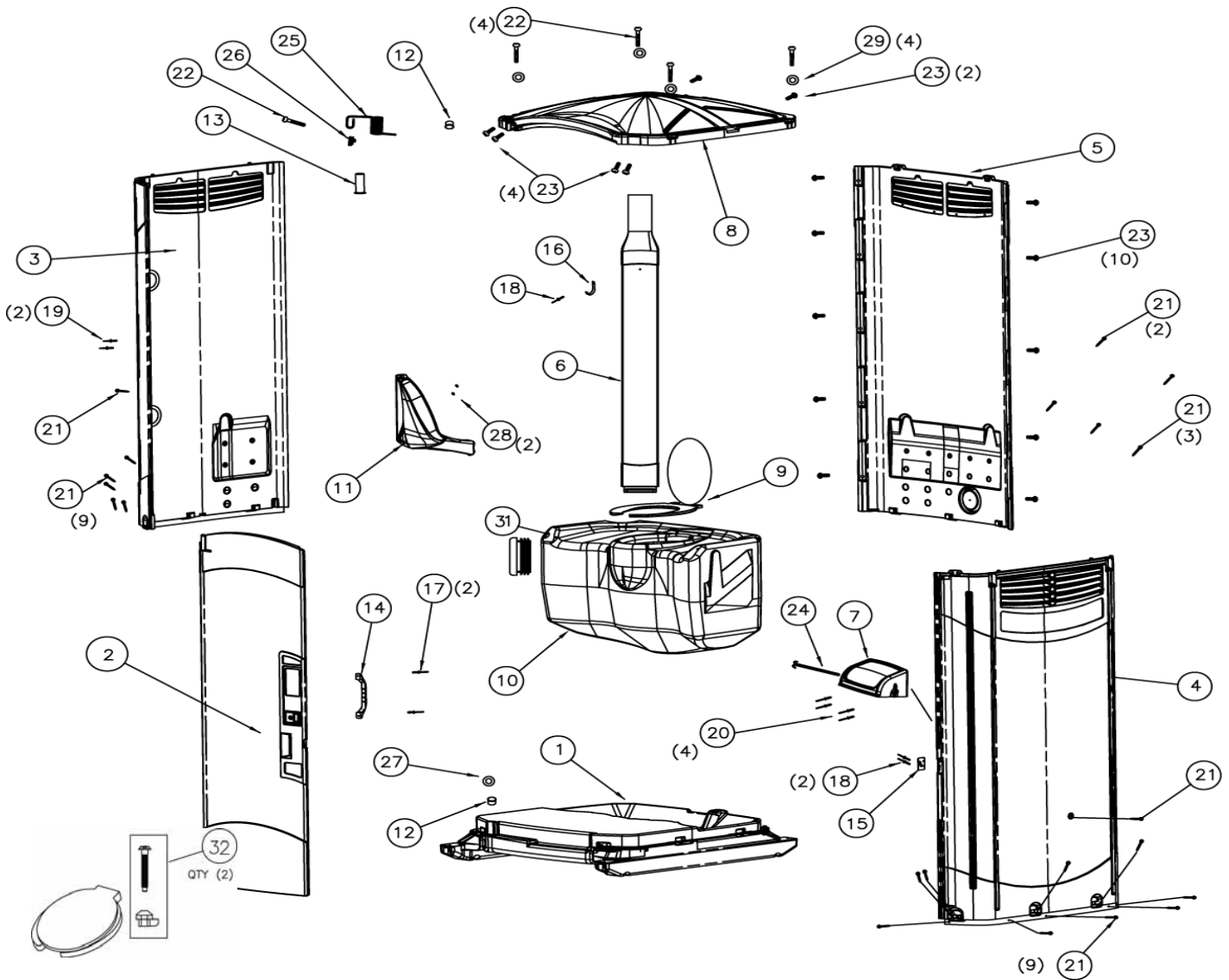


MAXIM 3000® MAJOR ASSEMBLY



MAXIM 3000® COLOR CHART

	TEAL	ROYAL BLUE	SAND	FOREST GREEN	GRANITE	GREY DOOR & VIP ONLY
DOOR ASSY PART#	17594	17592	17593	17589	17591	17590
RIGHT PANEL ASSY PART#	17609	17607	17608	17605	17606	21202
LEFT PANEL ASSY PART#	17599	17597	17598	17595	17596	21201
REAR PANEL ASSY PART#	17604	17602	17603	17600	17601	21203
VENT PIPE PART#	19063	19061	19062	19058	19060	19059

Visa / Mastercard / American Express / Discover
 \$25.00 Minimum Order — Prices and quantities subject to change / all prices are FOB FACTORY — Priced in U.S. Dollars
 20% minimum restocking charge applies on returns

MAXIM 3000® MAJOR ASSEMBLY

REV P ITEM #	PART#	QTY PER UNIT	DESCRIPTION	PRICE EACH
1	19015	1	BASE- MAX3000 ROTOMOLDED	
2	SEE CHART	1	DOOR ASSY MAX3000A	
3	SEE CHART	1	PANEL ASSY, MAX3000A LEFT	
4	SEE CHART	1	PANEL ASSY, MAX3000A RIGHT	
5	SEE CHART	1	PANEL ASSY, MAX3000A REAR	
6	SEE CHART	1	VENT PIPE, MAX3000B	
	17659	1	HDWE- MAX3000A	
7	17082	1	HOOD- PAPERGUARD II GREY	
	17037	1	KIT- PAPERGRD 2 ROLL EXPAN RIV	
	19115	1	KIT- PAPERGRD 3 ROLL EXPAN RVT	
	19408	1	KIT- PAPERGRD 4 ROLL VERTICAL	
8	19049	1	ROOF-MX3 ROUND VENT HOLE (ADAPTER KIT 19103 & 19075)	
9	14959	1	SEAT- ELONG MX2/MX3/TRS/HT/(GB BLK OLD TANKS PRE 05-11)	
32	19196	1	KIT- T/SEAT 2-1/2 BOLT/NUT SET	
10	16690	1	TANK- MX3	
11	16794	1	URINAL- MAX3000	
	17659	1	HDWE MAX3000A	
12	17617	2	BUSHING- MX3A DOOR PIVOT	
13	16832	1	BUSHING- MX3 DOOR SPRING	
14	16807	1	HANDLE- MX3 PLASTIC	
15	16839	1	HASP- FLAT 2-1/2in LONG	
16	10891	1	HOOK- FLAT COAT STNLS	
17*	17030	2	RIVET- AVDEL BLACK	
18*	17436	3	RIVET- AVDEL SILVER	
19*	11027	2	RIVET- #66 ALUM	
20*	18543	4	RIVET- 3/16 T PEEL	
21*	13860	25	SCREW- #14 X 1-1/2 W/WSH GOLD	
22	16809	5	SCREW- 5/16-18 X 1-1/2 TORX	
23*	16808	16	SCREW- 5/16-18 X 3/4 TORX	
24	16844	1	SPINDLE- PAPERGRD 2 ROLL METAL	
	12642	1	SPINDLE- PAPERGRD 2 ROLL WOOD	
	18529	1	SPINDLE- PAPERGRD 3 ROLL METAL	
	18696	1	SPINDLE- PAPERGRD 3 ROLL WOOD	
25	17627	1	SPRING- MX3A DOOR UPPER	
26*	14880	1	U-NUT- 5/16-18	
27	17130	1	WASHER- 1in ID NYLON	
28*	11315	2	WASHER- 3/16 RIVET STNLS	
29*	17626	4	WASHER- 5/16 RUBBER CLAD	
31	17224	1	PLUG- 1-5/8 ROUND HOLE (URINAL)	
	17674	1	INSTRUCTIONS, MAXIM 3000A	

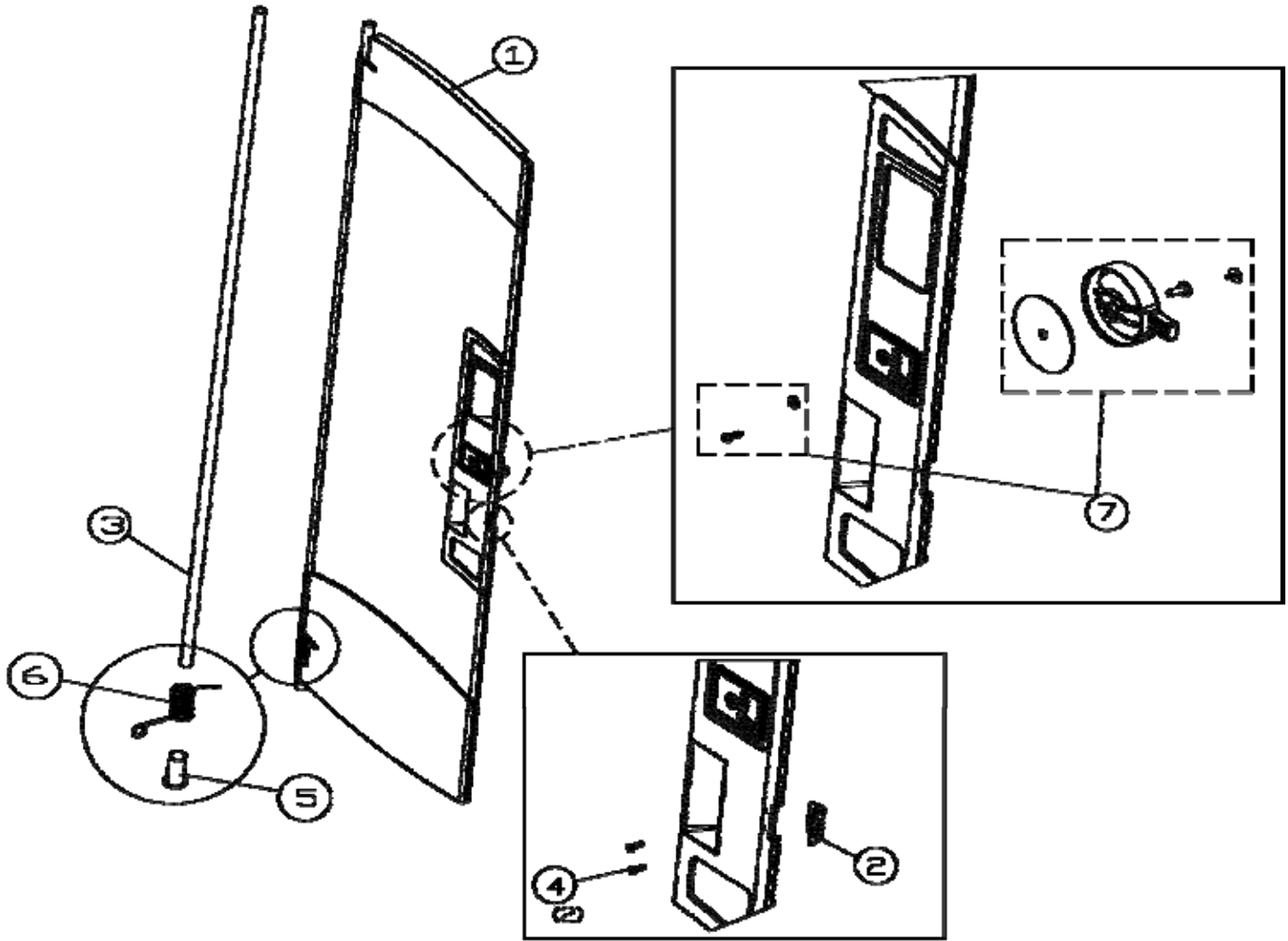
* ONLY SOLD IN MULTIPLES OF100

Consult Your Area Manager at:

Tel: 1-800-883-1123 (US & Canada) Fax: 1-800-328-3334 (US & Canada)

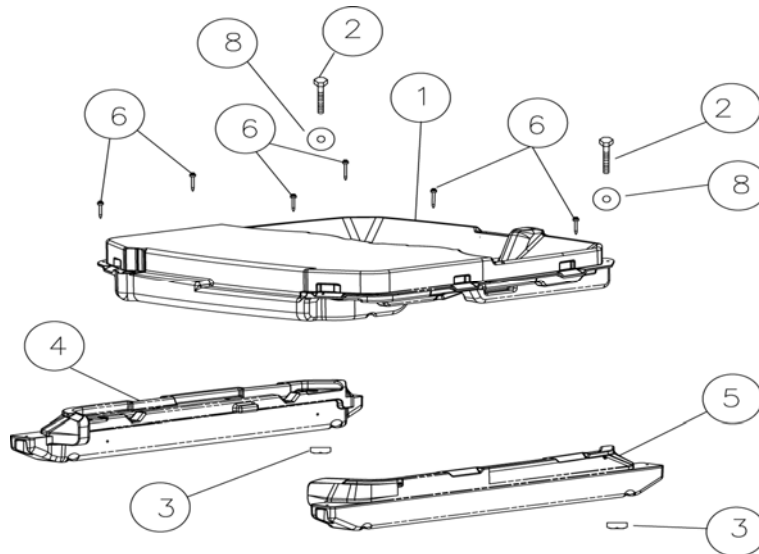
Web Site: www.satelliteindustries.com

MAXIM 3000® FRONT ASSEMBLY



REV F ITEM#	PART#	QTY PER UNIT	DESCRIPTION	PRICE EACH
1		1	DOOR ASSY, MX3	
2	16838	1	HASP- ANGLED 1-3/4 LONG	
3	16830	1	TUBE- 1 X 79-5/8	
4*	11270	2	RIVET- #68 STNLS	
5	16832	1	BUSHING- MX3 DOOR SPRING	
6	17621	1	SPRING- MX3A DOOR LOWER	
7	17168	1	KIT- MX3 LATCH REPLACEMENT	

MAXIM 3000® - 3 PIECE BASE



REV C ITEM #	PART#	QTY PER UNIT	DESCRIPTION	PRICE EACH
	17858	1	BASE ASSY, MAX3000A	
1		1	BASE, MAX3000A	NOT SALEABLE
2	17624	2	BOLT- 5/16-18 X 3-3/4 HHCS	
3*	17625	2	NUT- 5/16 SQUARE	
4	17619	1	RUNNER- MAX3000A LEFT	
5	17620	1	RUNNER- MAX3000A RIGHT	
6*	13860	6	SCREW- #14 X 1-1/2 W/WSH GOLD	
7*	14880	3	U-NUT- 5/16-18	
8*	11368	2	WASHER- 5/16 FLAT STNLS	

* ONLY SOLD IN MULTIPLES OF 100

MAXIM 3000® MIRROR



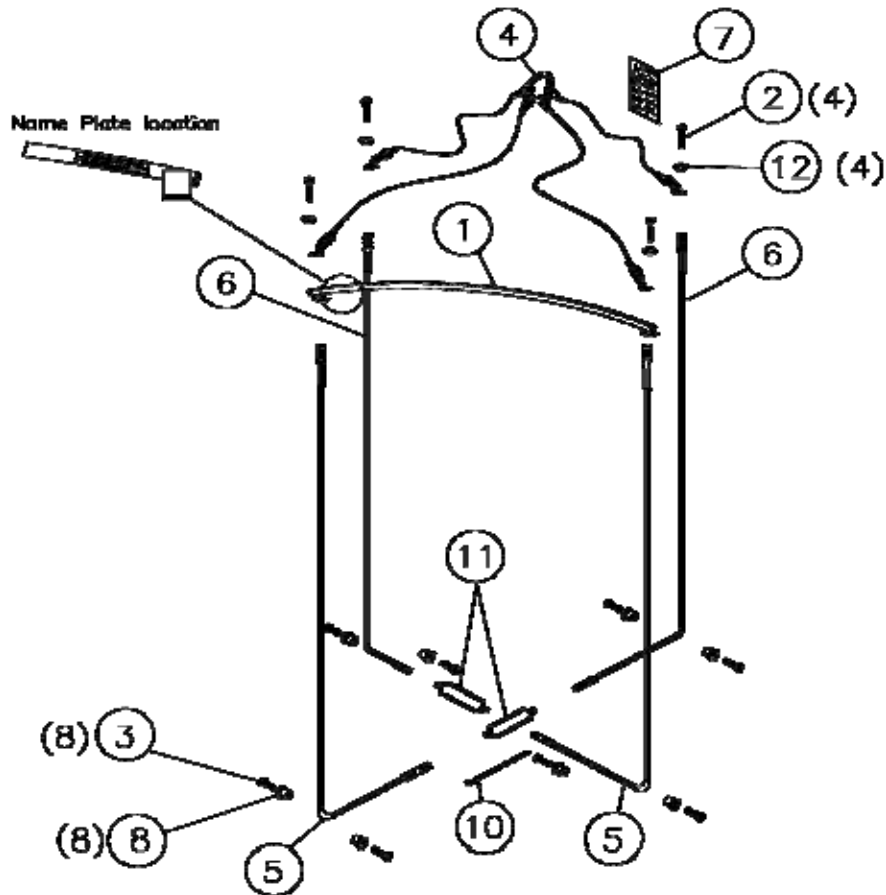
REV F ITEM #	PART#	QTY PER UNIT	DESCRIPTION	PRICE EACH
	17378	1	KIT- MIRROR 4 X 6 STNLS	

Consult Your Area Manager at:

Tel: 1-800-883-1123 (US & Canada) Fax: 1-800-328-3334 (US & Canada)

Web Site: www.satelliteindustries.com

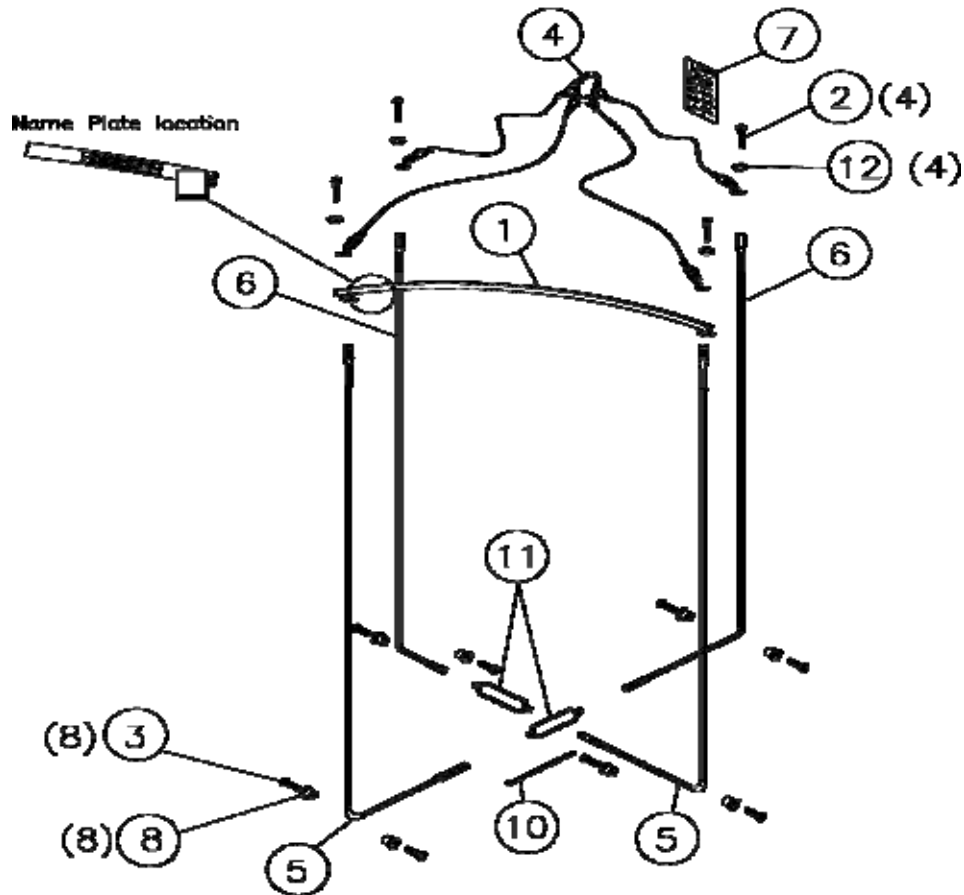
MAXIM 3000® WET LIFT KIT



REV F ITEM #	PART#	QTY PER UNIT	DESCRIPTION	PRICE EACH
	17151	1	KIT- MX3 WET LIFT	
1	17159	1	BAR- MAX3000 WET LIFT SPREADER	
2	17150	4	BOLT- 5/16-18 X 2-1/2 PLTD HEX	
3*	13216	8	BOLT- 1/4-20 X 3/4 SLOT PNHD	
4	17148	1	CABLE ASSY- WET LIFT	
5	17153	2	CABLE 1/8 X 104.25 RH THRDS (RED)	
6	17154	2	CABLE 1/8 X 104.25 LH THRDS (GREEN)	
7	17155	1	DECAL- MX3 WET LIFT WARNING	
8	17156	8	INSERT- 1/4-20 X 1/2 WELLNUT	
10	11261	1	TIE- WIRE 6in	
11	17157	2	TURNBUCKLE- 1/4-20 X 4-3/4	
12*	11368	4	WASHER- 5/16 FLAT STNLS	
	17152	1	INSTRUCTIONS- MAX3000 WET LIFT	

* ONLY SOLD IN MULTIPLES OF 100

MAXIM 3000® WET MARINE LIFT KIT



REV C ITEM #	PART#	QTY PER UNIT	DESCRIPTION	PRICE EACH
	20360	1	KIT- MX3 WET LIFT MARINE STNLS	
1	20351	1	BAR- MX3 WET LIFT SPREADR GALV	
2	17150	4	BOLT- 5/16-18 X 2-1/2 PLTD HEX	
3*	13216	8	BOLT- 1/4-20 X 3/4 SLOT PNHD	
4	17148	1	CABLE ASSY- WET LIFT	
5	20353	2	CABLE- 5/32 X 104.25 RH STNLS	
6	20352	2	CABLE- 5/32 X 104.25 LH STNLS	
7	17155	1	DECAL- MX3 WET LIFT WARNING	
8	17156	8	INSERT- 1/4-20 X 1/2 WELLNUT	
10	11261	1	TIE- WIRE 6in	
11	20354	2	TURNBUCKLE- 1/4-20 X 4-3/4 SS	
12*	11368	4	WASHER- 5/16 FLAT STNLS	
	17152	1	INSTRUCTION- MX3 WET LIFT	

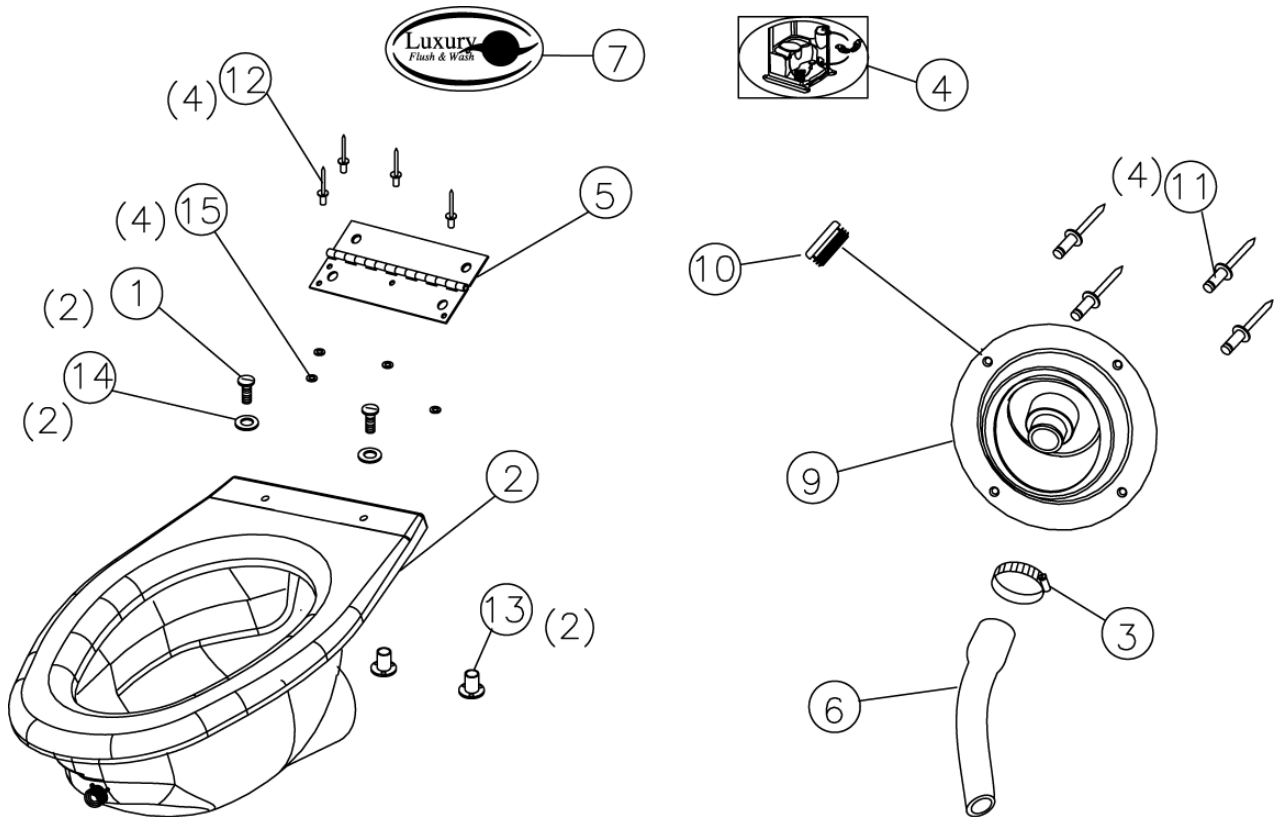
* ONLY SOLD IN MULTIPLES OF 100

Consult Your Area Manager at:

Tel: 1-800-883-1123 (US & Canada) Fax: 1-800-328-3334 (US & Canada)

Web Site: www.satelliteindustries.com

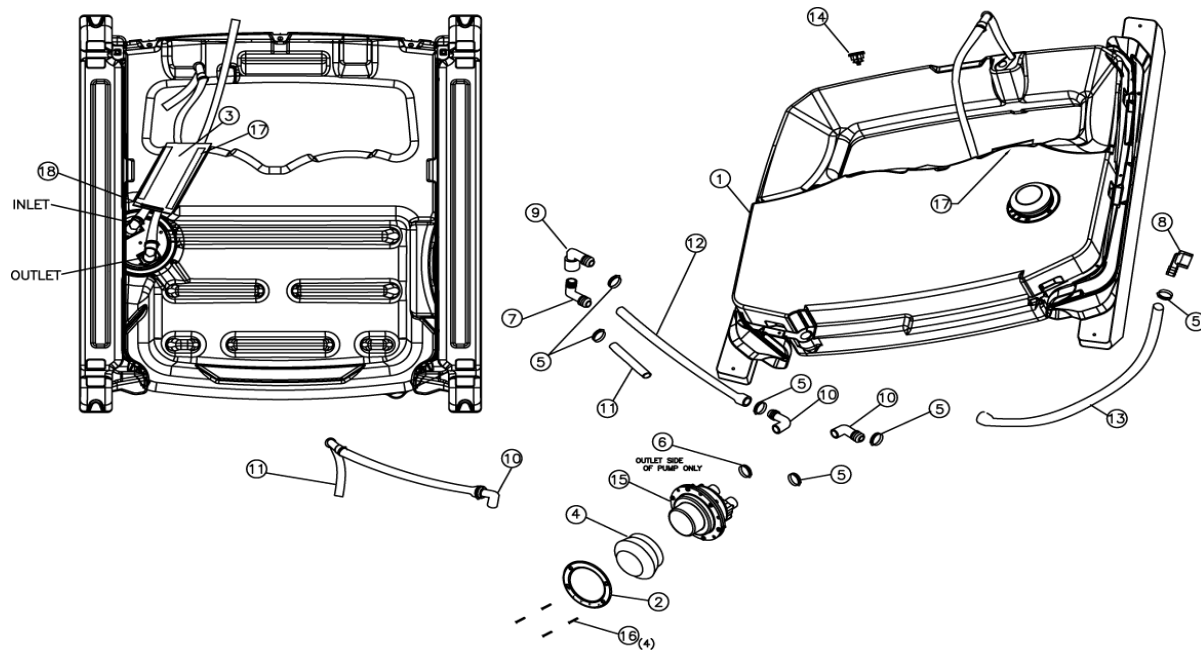
MAXIM 3000® TURBO FLUSH



REV H ITEM#	PART#	QTY PER UNIT	DESCRIPTION	PRICE EACH
	17816	1	KIT- MX3 TURBO FOOT PLST BOWL	
1*	13216	2	BOLT- 1/4-20 X 3/4 SLOT PNHD	
2	17442	1	BOWL ASSY- MX3 TURBO W/COLLAR	
3	10281	1	CLAMP- WORMDRIVE #20	
4	17161	1	DECAL- MX3 TURBO FLUSH/HANDWSH	
5	17169	1	HINGE- FLUSH BOWL	
6	15968	1	HOSE- 1 X 8 GREEN	
7	17318	1	ICON- UPGRADE DECAL	
9	16858	1	PLATE- FILL/PUMP-OUT	
10	17224	1	PLUG- 1-5/8 ROUND HOLE	
11*	17436	4	RIVET- AVDEL SILVER	
12*	11270	4	RIVET- #68 STNLS	
13*	16884	2	T-NUT- 1/4-20 X 3/4 PLTD	
14*	12382	2	WASHER- 1/4 FLAT STNLS	
15*	11315	4	WASHER- 3/16 RIVET STNLS	
	19050	1	INSTRUCTIONS, MX3 TUR BLST BLOW	

* ONLY SOLD IN MULTIPLES OF 100

MAXIM 3000® BASE ASSEMBLY TURBO FOOT FLUSH



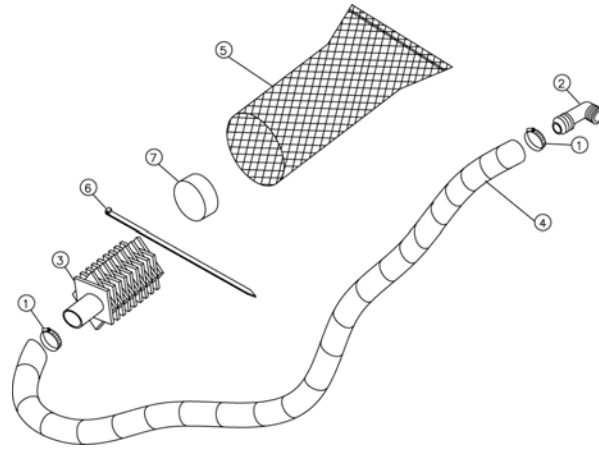
REV D ITEM#	PART#	QTY PER UNIT	DESCRIPTION	PRICE EACH
	17815	1	BASE ASSY- MX3 TURBO FOOT FLSH	
1	17858	1	BASE ASSY- MAX3000A	
2	16969	1	BEZEL- FOOT PUMP	
3	17747	1	BRACKET- TURBO HOSE COVER PLST	
4	15801	1	BOOT- BUTTON PUMP	
5	12588	6	CLAMP- WORMDRIVE #12	
6	17498	1	CLAMP- #30 HI-TORQUE	
7	11977	1	ELBOW- 90 3/4 MPTX3/4 INS POLY	
8	18145	1	ELBOW- 90 3/4 FPT X3/4 INS BLK	
9	14675	1	ELBOW- 90 3/4 FPT X 3/4 INS	
10	14958	2	ELBOW- 90 1in PMP SLP X BOR HS	
11	16222	7.5"	HOSE- 3/4 ROLLERFLEX GREEN	
12	17096	1	HOSE- 3/4 X 25 GREEN	
13	17097	1	HOSE- 3/4 X 72 GREEN	
14	17458	1	PLUG- 2in RUBBER HOLE	
15	17504	1	PUMP- STRAIGHT GUZZLER FOOT	
	17619	1	RUNNER-MAX3000A LEFT	
	17620	1	RUNNER-MAX3000A RIGHT	
16	17505	4	SCREW- #10-24 X 1-1/2 STNLS PH	
17	17748	16"	STRIP- 1in ADHESIVE DOUBL BACK	
18	11470	1	TIE- WIRE 12in	

Consult Your Area Manager at:

Tel: 1-800-883-1123 (US & Canada) Fax: 1-800-328-3334 (US & Canada)

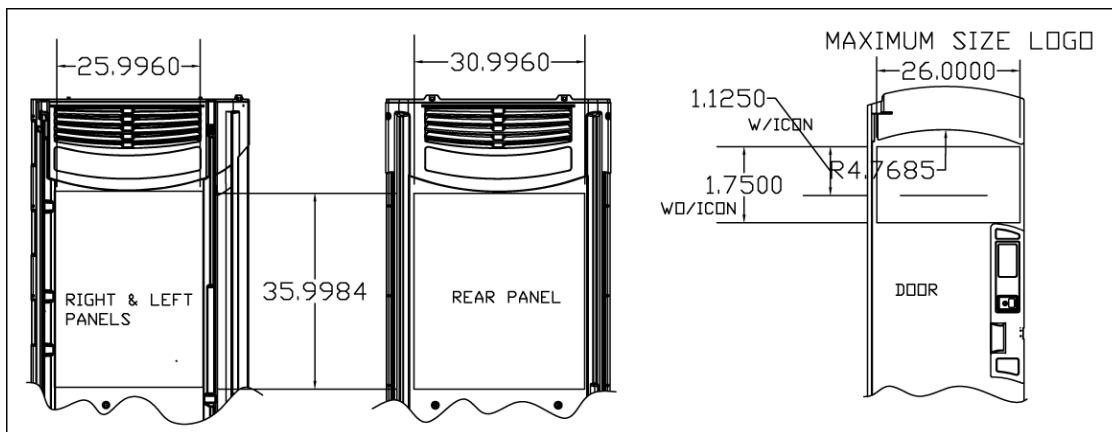
Web Site: www.satelliteindustries.com

MAXIM 3000® TURBO RECIRC ADD-ON

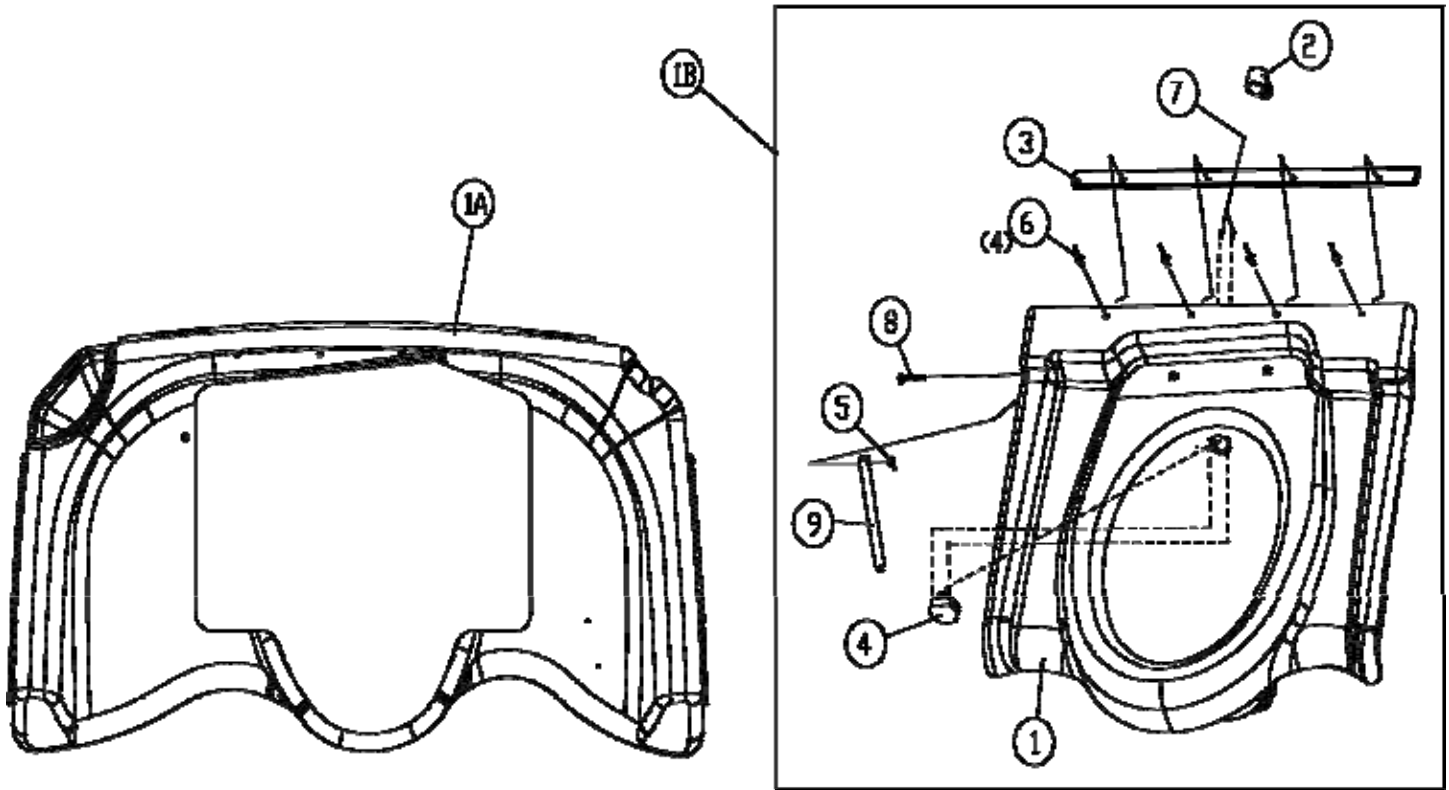


REV D ITEM#	PART#	QTY PER UNIT	DESCRIPTION	PRICE EACH
	17332	1	KIT- MX3 TURBO RECIRC ADD-ON	
1	10281	2	CLAMP- WORMDRIVE #20	
2	10443	1	ELBOW- 90 3/4 MPT X 1 INS NYL	
3	15143	1	FILTER- RECIRCULATING FLUSH	
4	10615	60	HOSE- 1in CLEAR POLYBRAID	
5	16949	1	SCREEN- TURBO RECIRC FILTER	
6	11261	1	TIE- WIRE 6in	
7	17331	1	WEIGHT- TURBO RECIRC FILTER	
	17386	1	INSTRUCTIONS- MX3 TURBO RECIRC	

MAXIM 3000® LOGO AREA



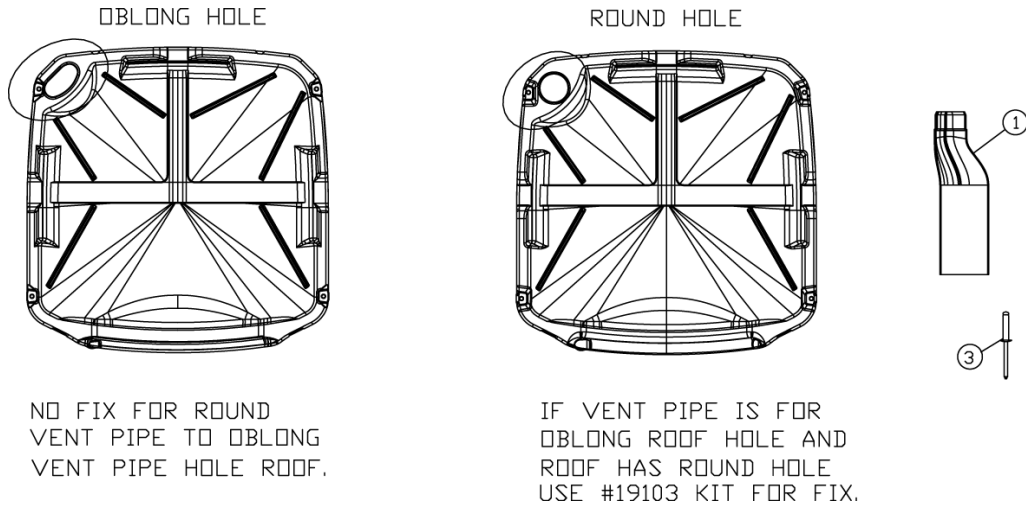
MAXIM 3000® FLIP TOP



REV B ITEM#	PART#	QTY PER UNIT	DESCRIPTION	PRICE EACH
1A	20595	1	TANK- MX3 F/FLSH FLIPTOP	
1B	20596	1	DECK ASSY- MX3 FLIPTOP	
1	20594	1	DECK- MX3 FLUSH FLIPTOP	
2	18145	1	ELBOW- 90 3/4 FPT X3/4 INS BLK	
3	20937	1	HINGE- TUFWAY FLUSH FLIPTOP	
4	14403	1	NOZZLE- SINGLE SLOT FLUSH DGRY	
5	20903	1	NUT- #10-24 NYLOC STNLS	
6*	11027	4	RIVET- #66 ALUM	
7*	15537	2	SCREW- #4 X 3/8 FH STNLS	
8*	20842	1	SCREW- #10-24 X 1-1/4 PH STNLS	
9	20938	1	STRUT- TUFWAY FLUSH FLIPTOP	

Consult Your Area Manager at:
 Tel: 1-800-883-1123 (US & Canada) Fax: 1-800-328-3334 (US & Canada)
 Web Site: www.satelliteindustries.com

MAXIM 3000® VENT PIPE ADAPTER



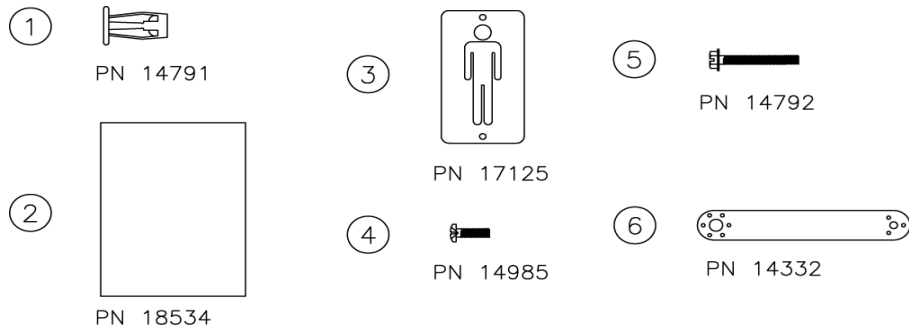
NO FIX FOR ROUND VENT PIPE TO OBLONG VENT PIPE HOLE ROOF.

IF VENT PIPE IS FOR OBLONG ROOF HOLE AND ROOF HAS ROUND HOLE USE #19103 KIT FOR FIX.

REV B ITEM#	PART#	QTY PER UNIT	DESCRIPTION	PRICE EACH
	19103	1	KIT- MX3 VENT PIPE ADAPTER	
1	19075	1	ADAPTER- MX3 VENT PIPE GREY	
3*	17436	2	RIVET- AVDEL SILVER	
	19105	1	INSTRUCTIONS, MX3 VP ADAPTER	

* ONLY SOLD IN MULTIPLES OF 100

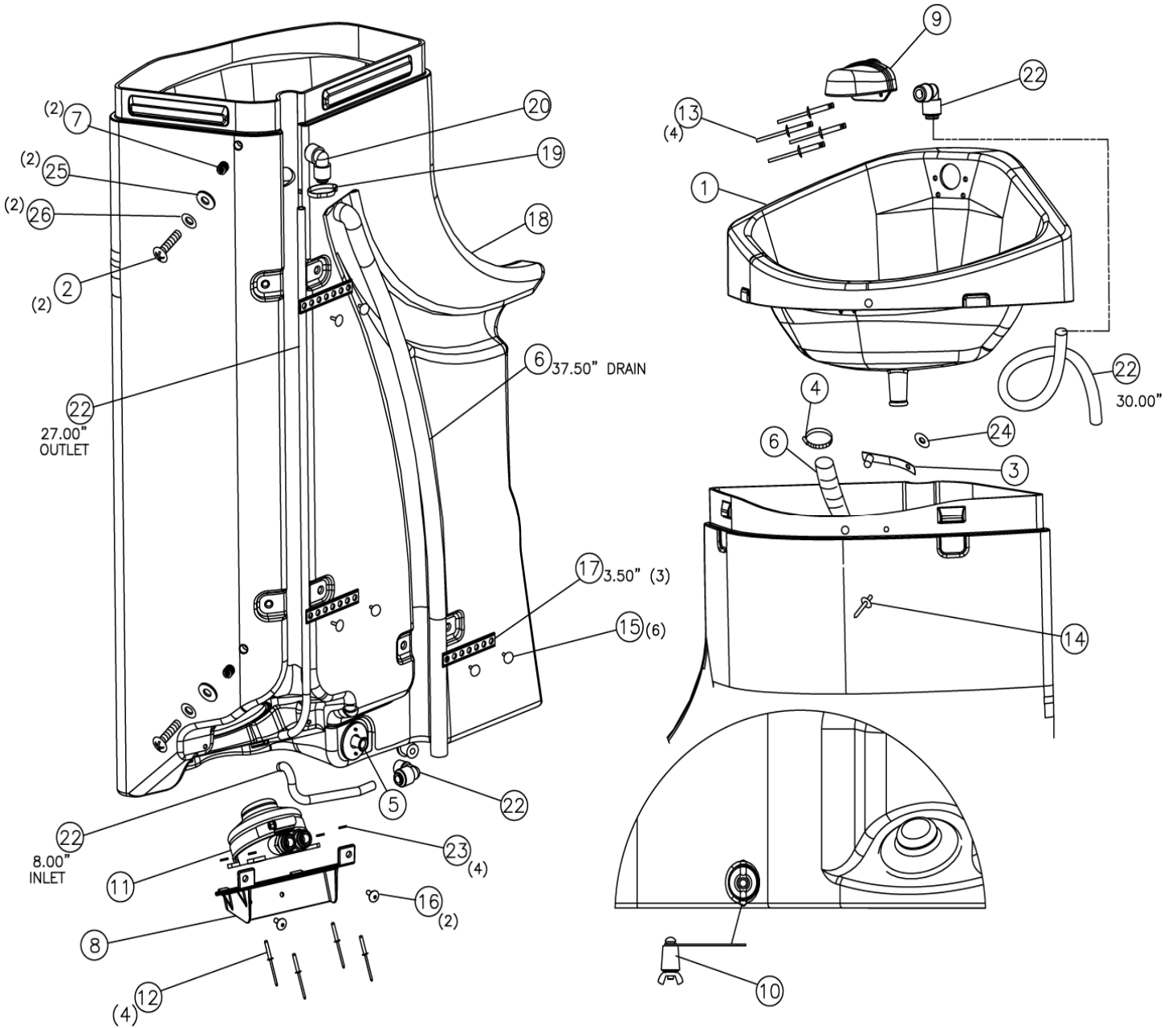
MAXIM 3000® GENDER INDICATOR



REV D ITEM #	PART#	QTY PER UNIT	DESCRIPTION	PRICE EACH
	17381	1	KIT- GENDER INDICATOR	
1	14791		INSERT- #10-24 JACK NUT	
2	18534		INSTRUCTION, GENDER INDICATOR	
3	17125		PLATE- GENDER INDICATOR (MALE/FEMALE)	
4	14985		SCREW- #10-24 X 5/8 STNLS PHPN	
5	14792		SCREW- #10-24 X 1 HEX PLTD	
6	14332		WRENCH- JACK NUT	

* ONLY SOLD IN MULTIPLES OF 100

MAXIM 3000® HANDWASH MAJOR ASSEMBLY



Visa / Mastercard / American Express / Discover
 \$25.00 Minimum Order — Prices and quantities subject to change / all prices are FOB FACTORY — Priced in U.S. Dollars
 20% minimum restocking charge applies on returns

MAXIM 3000® HAND WASH MAJOR ASSEMBLY

REV H ITEM#	PART#	QTY PER UNIT	DESCRIPTION	PRICE EACH
	17080	1	HANDWASH, MAX3000	CALL
1		1	BASIN, MX3 HANDWASH	NOT SALEABLE
	19098	1	BASIN ASSY- HANDWASH MX3 RETRO	
2*	16110	2	BOLT- 1/4-20 X 5/8 PN HD STNLS	
3		1	BUTTON, SPRING ARM HANDWASH	NOT SALEABLE
4	12588	1	CLAMP- WORMDRIVE #12	
5	16829	1	FILTER- 1/2 X 3-1/2 CYLINDER	
6	16392	37.50"	HOSE- 3/4 LOW PRESSURE	
7	16303	2	INSERT- 1/4-20 STEEL ZINC COBL	
8	16113	1	MOUNT PLATE- SLIMMATE II PUMP	
9	17079	1	NOZZLE- HOODED GREY	
10	20576	1	PLUG- 3/4 EXPANDING W/TETHER	
11	16305	1	PUMP- BABY FOOT 3/8 HOSE INS	
12*	15144	4	RIVET- #410 ALUM	
13*	14427	4	RIVET- #66 LSH W/LOCK MANDREL	
14*	11027	1	RIVET- #66 ALUM	
15*	16804	6	RIVET- PINE TREE 1/4 X 9/16	
16*	16393	2	SCREW- #10 X 1/2 HI-LO PHPN	
17	16873	10.50"	STRAPPING- 5/8 PERFORATED	
18	16837	1	TANK- MAX3000 HANDWASH	
19	11261	1	TIE- WIRE 6in	
20	16656	1	TS FITTING- 90DEG 3/8 HOSxHOS	
21	16301	2	TS FITTING- 90DEG 3/8 HOSxNPTF	
22	16304	65"	TS HOSE- 3/8 OD TUBING	
23*	11384	4	WASHER- 1/8 RIVET STNLS	
24*	11315	1	WASHER- 3/16 RIVET STNLS	
25*	12382	2	WASHER, 1/4 FLAT STNLS	
26*	15340	2	WASHER, 1/4 STAR STNLS	
	20508	1	BOOT - BABY FOOT PUMP	
	17085	1	INSTRUCTIONS, MAX3000 HANDWASH	

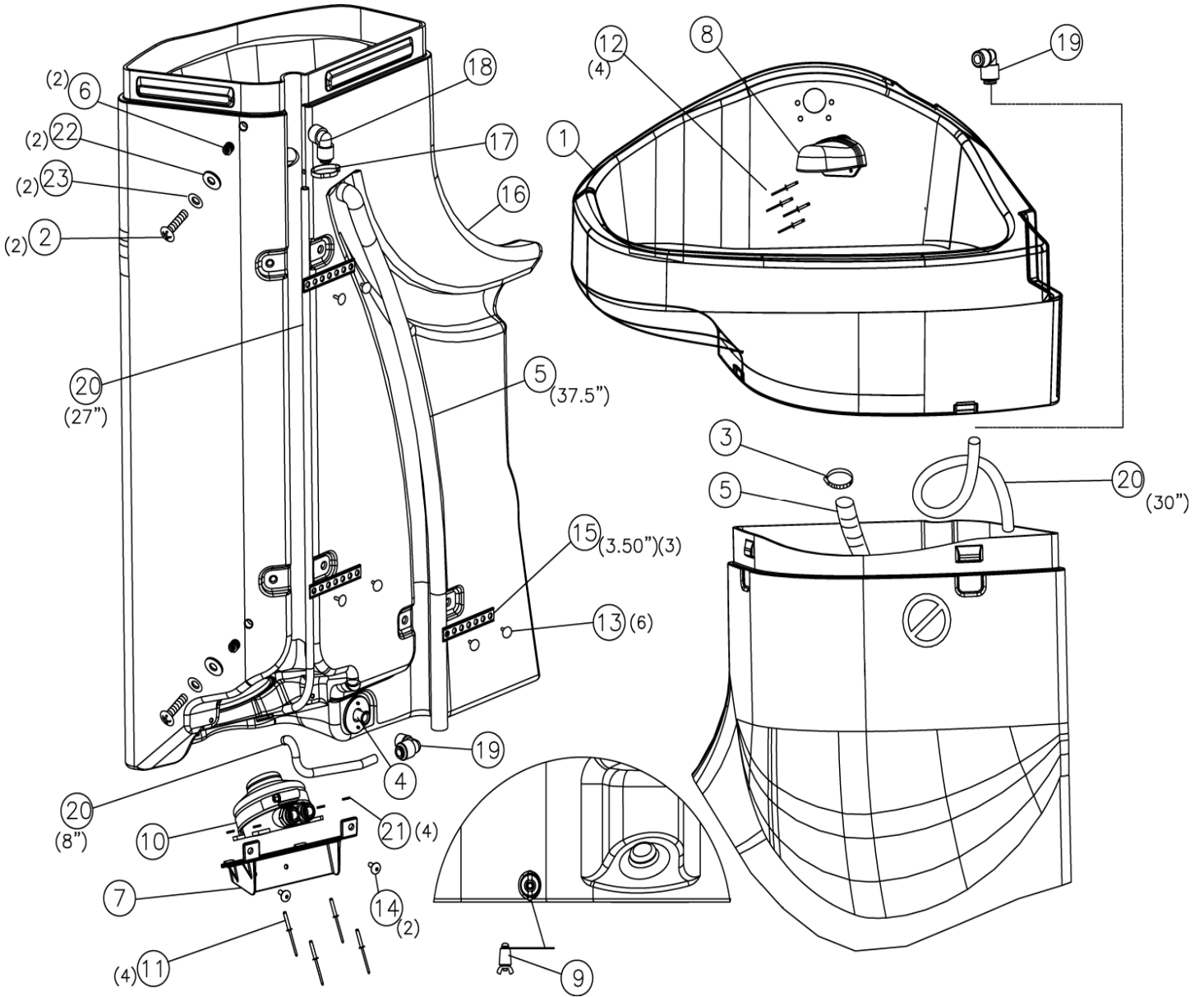
* ONLY SOLD IN MULTIPLES OF100

Consult Your Area Manager at:

Tel: 1-800-883-1123 (US & Canada) Fax: 1-800-328-3334 (US & Canada)

Web Site: www.satelliteindustries.com

MAXIM 3000® HAND WASH FOREARM MAJOR ASSEMBLY



Visa / Mastercard / American Express / Discover
 \$25.00 Minimum Order — Prices and quantities subject to change / all prices are FOB FACTORY — Priced in U.S. Dollars
 20% minimum restocking charge applies on returns

MAXIM 3000® HAND WASH FOREARM MAJOR ASSEMBLY

REV D ITEM#	PART#	QTY PER UNIT	DESCRIPTION	PRICE EACH
	18377	1	HANDWASH- FOREARM MAX3000	CALL
1		1	BASIN, MX3 FORM HANDWASH	NOT SALEABLE
2*	16110	2	BOLT- 1/4-20 X 5/8 PN HD STNLS	
3	12588	1	CLAMP- WORMDRIVE #12	
4	16829	1	FILTER- 1/2 X 3-1/2 CYLINDER	
5	16392	37.50"	HOSE- 3/4 LOW PRESSURE	
6	16303	2	INSERT- 1/4-20 STEEL ZINC COBL	
7	16113	1	MOUNT PLATE- SLIMMATE II PUMP	
8	17079	1	NOZZLE- HOODED GREY	
9	20576	1	PLUG- 3/4 EXPANDING W/TETHER	
10	16305	1	PUMP- BABY FOOT 3/8 HOSE INS	
11*	15144	4	RIVET- #410 ALUM	
12*	14427	4	RIVET- #66 LSH W/LOCK MANDREL	
13*	16804	6	RIVET- PINE TREE 1/4 X 9/16	
14*	16393	2	SCREW- #10 X 1/2 HI-LO PHPN	
15	16873	10.50"	STRAPPING- 5/8 PERFORATED	
16	16837	1	TANK- MAX3000 HANDWASH	
17	11261	1	TIE- WIRE 6in	
18	16656	1	TS FITTING- 90DEG 3/8 HOSxHOS	
19	16301	2	TS FITTING- 90DEG 3/8 HOSxNPTF	
20	16304	65"	TS HOSE- 3/8 OD TUBING	
21*	11384	4	WASHER- 1/8 RIVET STNLS	
22*	12382	2	WASHER- 1/4 FLAT STNLS	
23*	15340	2	WASHER- 1/4 STAR STNLS	
	20508	1	BOOT - BABY FOOT PUMP	
	17085	1	INSTRUCTIONS- MAX3000 HANDWASH	

* ONLY SOLD IN MULTIPLES OF100

MAXIM 3000® SHELF



REV F ITEM #	PART#	QTY PER UNIT	DESCRIPTION	PRICE EACH
	17377	1	KIT- MX3 SHELF	

Consult Your Area Manager at:

Tel: 1-800-883-1123 (US & Canada) Fax: 1-800-328-3334 (US & Canada)

Web Site: www.satelliteindustries.com