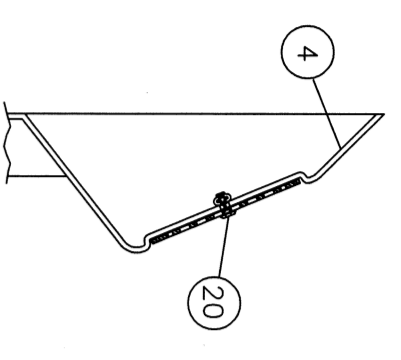
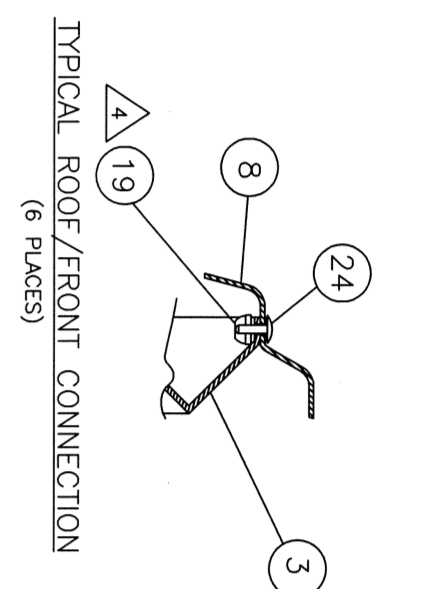


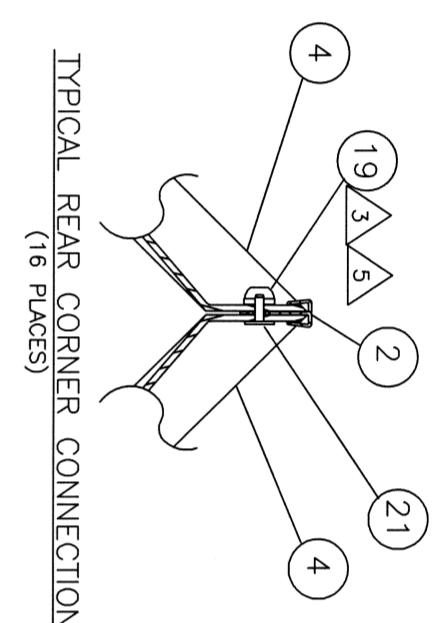
TYPICAL SIDE PANEL/TANK CONNECTION
TYPICAL FRONT ASSY/TANK CONNECTION
(Screw Bolt Into Threaded Insert in Tank)



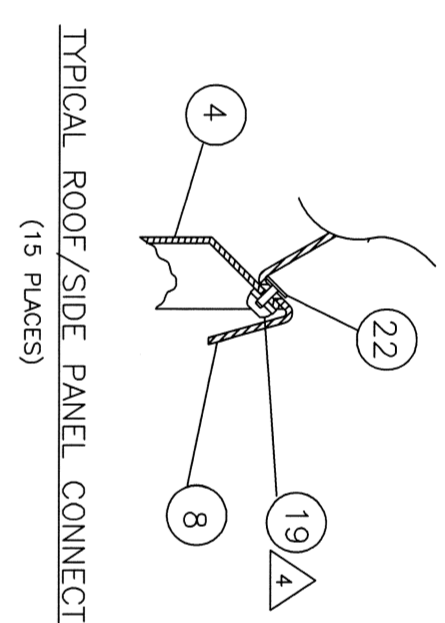
TYPICAL VENT SCREEN/SIDE PANEL CONNECTION



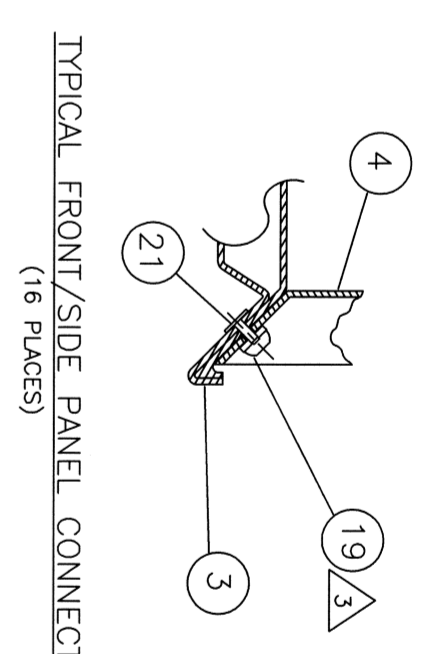
TYPICAL ROOF/FRONT CONNECTION
(6 PLACES)



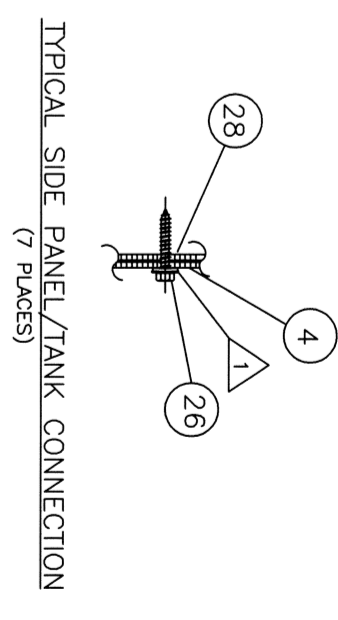
TYPICAL REAR CORNER CONNECTION
(16 PLACES)



TYPICAL ROOF/SIDE PANEL CONNECTION
(15 PLACES)



TYPICAL FRONT/SIDE PANEL CONNECTION
(16 PLACES)



TYPICAL SIDE PANEL/TANK CONNECTION
(7 PLACES)

REPAIR KITS

29	14963	1	KIT, EW/500L TANK INSERT REPAIR
----	-------	---	---------------------------------

ITEMS NOT USED FROM HDWE, TUFWAY (#15567)

26	13860	22	SCREW, #14 X 1-1/2 W/MSH GOLD
18	18191	1	NUT, 5/16 SERATED FLANGE
16	13173	1	BOLT, 5/16 X 3in HWHD

7 HDWE, TUFWAY (#15567)

27	16844	1	SPINDLE, PAPERGUARD II
26	13860	29	SCREW, #14 X 1-1/2 W/MSH GOLD
25	10122	4	SCREW, #10 X 3/4 PH TAP
24	18722	6	RIVET, SOLID LONG DOME W/MSHR
23	10801	6	RIVET, SOLID LONG (DOME)
22	18721	12	RIVET, SOLID SHORT FLAT W/MSHR
21	10629	32	RIVET, SOLID SHORT (FLAT)
20	15337	12	RIVET, .195 PLASTIC EXPANDING
19	10047	56	PUSH CAP, 3/16 ID
18	18191	1	NUT, 5/16 SERATED FLANGE
17	14767	1	LATCH, RESTROOM PLASTIC
16	13173	1	BOLT, 5/16 X 3in HWHD

6 HDWE, TUFWAY 500L ADD-ON (#17985)

15	10725	19	WASHER, RUBBER CLAD #14ID X 5/8
14	18722	2	RIVET, SOLID LONG DOME W/MSHR
13	10047	2	PUSH CAP, 3/16 ID
12	15558	1	INSTRUCTION, 500L TUFWAY (NOT SHOWN)
12	14456	4	BOLT, 5MM X 20MM NICKEL PLT SS
11	14327	15	BOLT, 5MM X 12MM NICKEL PLT SS

- 5. PUSH CAP TOWARD FRONT OF UNIT ✓
- 4. PUSH CAPS ON ROOF SHOULD BE PUSHED ONTO RIVET UNTIL RUBBER WASHER IS COMPRESSED ✓
- 3. PUSH CAP SHOULD BE PUSHED ONTO RIVET UNTIL TIGHT ✓
- 2. CUSTOMER TO USE SHIPPING SCREW IN DOOR TO SECURE VENT PIPE (PER ASSEMBLY INSTRUCTIONS) ✓
- 1. TIGHTEN FASTENER UNTIL RUBBER WASHER BEGINS TO FLATTEN -DO NOT OVER TIGHTEN ✓

STANDARD TOILET PART (LINE ITEM ON SALE ORDERS)

28	17510	1	TANK ASSY, TUFWAY K500L
----	-------	---	-------------------------

C015- TUFWAY 500L NO/TANK

10	11946	1	VENT PIPE, 4 X 68 GREY
9	11999	1	URINAL, SPLASHGUARD GREY
8	13298	1	ROOF, TUFWAY EASTERN/500L
7	13183	1	HOSE, URINAL ELBOW
6	17082	1	HOOD, PAPERGUARD II GREY
	15567	1	HDWE, TUFWAY
	17985	1	HDWE, TUFWAY 500L ADD-ON
5	15433	1	FLAPPER, ASIN BOWL
4	15450	3	DESIGN, TUFWAY PANEL
3	15562	1	DESIGN, TUFWAY FRONT ASSY
2	16050	2	CORNER MOLDING II, BLACK PUNCH
1	15435	1	BOWL, ASIAN (FR-SLIM/500L/EW)

ITEM # PART # QTY DESCRIPTION

Dimensions are in inches [mm]
 Tolerances are:
 1. P. DECIMALS ±
 2. ANGLES ±
 3. DIMENSIONS ±

THIS DRAWING IS THE PROPERTY OF Satellite Industries, Inc. AND IS NOT TO BE REPRODUCED OR TRANSMITTED IN ANY FORM OR BY ANY MEANS, ELECTRONIC OR MECHANICAL, INCLUDING PHOTOCOPYING, RECORDING, OR BY ANY INFORMATION STORAGE AND RETRIEVAL SYSTEM. ANY UNAUTHORIZED REPRODUCTION OR TRANSMISSION OF THIS DRAWING IS STRICTLY PROHIBITED. THE USER OF THIS DRAWING SHALL BE RESPONSIBLE FOR OBTAINING ALL NECESSARY PERMITS AND APPROVALS FROM THE APPROPRIATE AUTHORITIES.

SIGNATURES: _____ DATE: _____
 DRAWN: SLA 8-20-96
 CHECKED: P-8/L 5/19/99
 ENGR: DM 5-21-04
 DESIGNED: DM 5-21-04

THIRD ANGLE PROJECTION

TITLE: DESIGN, TUFWAY 500L RESTROOM
 DWG NO: 15654
 SCALE: 1=20 (SUPERSEDES)

SHEET 1 OF 1

